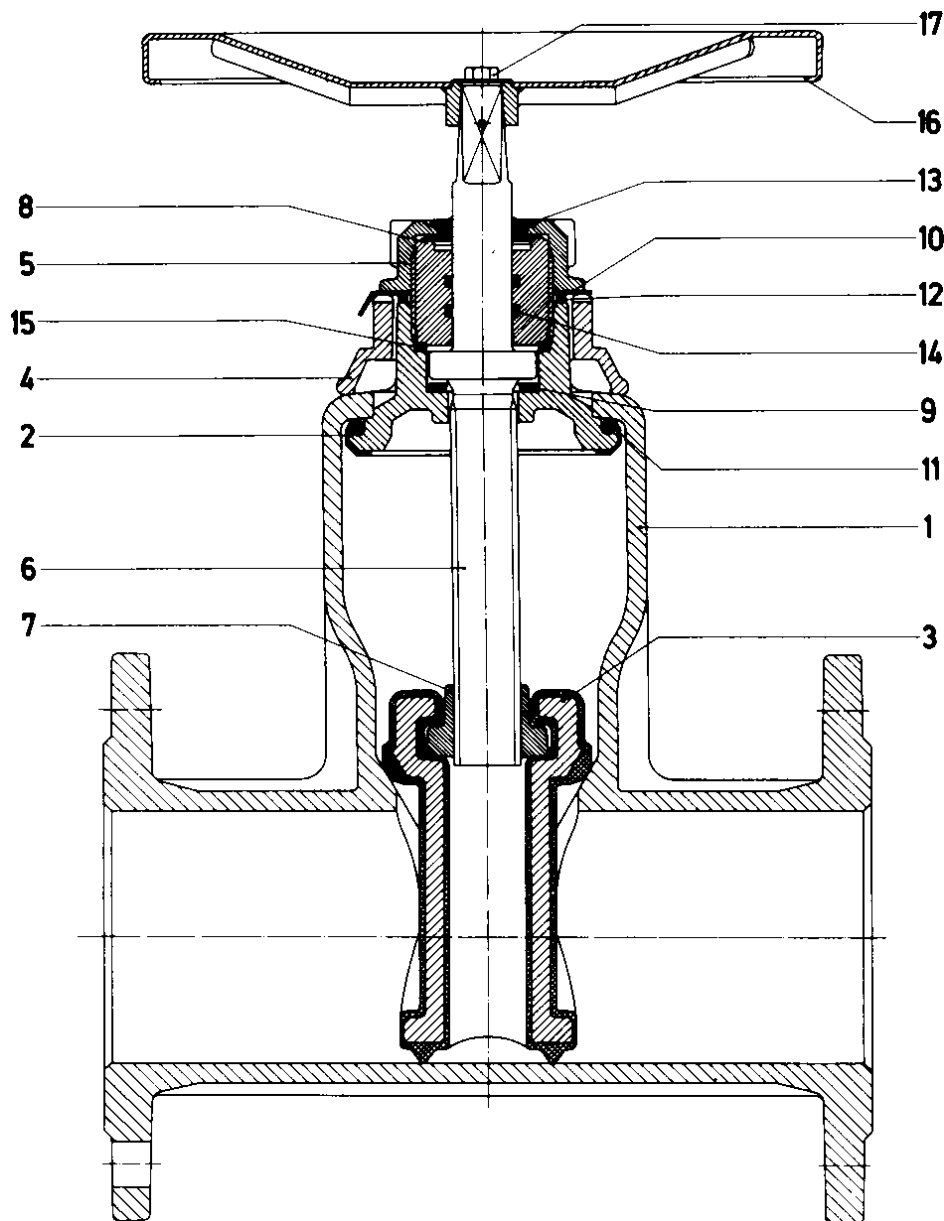


VAG BETA® 200 Gate Valve

DN 200...300 PN 10/16

Design: by the end of 2002



Teil Part	Benennung / Description	
1	Gehäuse 1.1 mit Flanschen Baulänge Reihe F 5 1.2 mit Flanschen Baulänge Reihe F 4	Body 1.1 with flanges, face to face series F 5 1.2 with flanges, face to face series F 4
2	Deckel	Bonnet
3	Abschlußkörper, allseitig gummiert	Wedge, fully covered with rubber
4	Stützring	Support ring
5	Lagermutter	Bearing nut
6	Spindel	Stem
7	Spindelmutter	Stem nut
8	Spindellager	Stem bearing
9	Gleitscheibe	Sliding disk
10	Arretierscheibe mit Kennzeichnung	Locking disk with mark
11	Profilring	Bonnet seal ring
12	Dichtung	Seal ring
13	Abstreifring	Wiper ring
14	O-Ring	O-ring
15	Dichtring für Spindellager	Seal ring for stem bearing

We reserve the right to make technical changes and use similar or higher-quality materials.
Drawings are non-binding.

KAT 10 10 - E3

(by the end of 2002)

Spare parts list

Part	Description	piece	code number
DN 200			
	SET 1G	1	2-11-20921-000
	SET 1W	1	2-11-20921-001
9	Sliding disk		
10	Locking disk		
11	Bonnet seal ring		
12	Seal ring		
13	Wiper ring		
3	SET 2G Wedge, fully covered with rubber	1	1-11-20915-000
3	SET 2W Wedge, fully covered with rubber	1	1-11-20915-001
6	SET 3 Stem	1	1-11-20918-550
7	SET 4 Stem nut	1	1-11-20920-650
8	SET 5G Stem bearing	1	2-11-21182-000
8	SET 5W Stem bearing	1	2-11-21182-001
14	O-ring		
15	Seal ring		
	SET 6G		2-11-20941-000
	SET 6W		2-11-20941-001
4	Support ring		
5	Bearing nut		
10	Locking disk		
12	Seal ring		
13	Wiper ring		
DN 250			
	SET 1G	1	2-11-20931-000
	SET 1W	1	2-11-20931-001
9	Sliding disk		
10	Locking disk		
11	Bonnet seal ring		
12	Seal ring		
13	Wiper ring		
3	SET 2G Wedge, fully covered with rubber	1	1-11-20928-000
3	SET 2W Wedge, fully covered with rubber	1	1-11-20928-001
6	SET 3 Stem	1	1-11-20930-550
7	SET 4 Stem nut	1	1-11-20752-650
8	SET 5G Stem bearing	1	2-11-21183-000
8	SET 5W Stem bearing	1	2-11-21183-001
14	O-ring		
15	Seal ring		
	SET 6G	1	2-11-20942-000
	SET 6W	1	2-11-20942-001
4	Support ring		
5	Bearing nut		
10	Locking disk		
12	Seal ring		
13	Wiper ring		
DN 300			
	SET 1G	1	2-11-20933-000
	SET 1W	1	2-11-20933-001
9	Sliding disk		
10	Locking disk		
11	Bonnet seal ring		
12	Seal ring		
13	Wiper ring		
3	SET 2G Wedge, fully covered with rubber	1	1-11-20748-000
3	SET 2W Wedge, fully covered with rubber	1	1-11-20748-001
6	SET 3 Stem	1	1-11-20751-550
7	SET 4 Stem nut	1	1-11-20752-650
8	SET 5G Stem bearing	1	2-11-21183-000
8	SET 5W Stem bearing	1	2-11-21183-001
14	O-ring		
15	Seal ring		
	SET 6G	1	2-11-20943-000
	SET 6W	1	2-11-20943-001
4	Support ring		
5	Bearing nut		
10	Locking disk		
12	Seal ring		
13	Wiper ring		



VAG-Armaturen GmbH
 Carl-Reuther-Straße 1
 D-68305 Mannheim
 P.O.B. 31 05 48
 D-68265 Mannheim
 Phone (0621) 749 - 0
 Fax (0621) 749 - 2153
 Internet: www.vag-armaturen.com

© by VAG-Armaturen GmbH