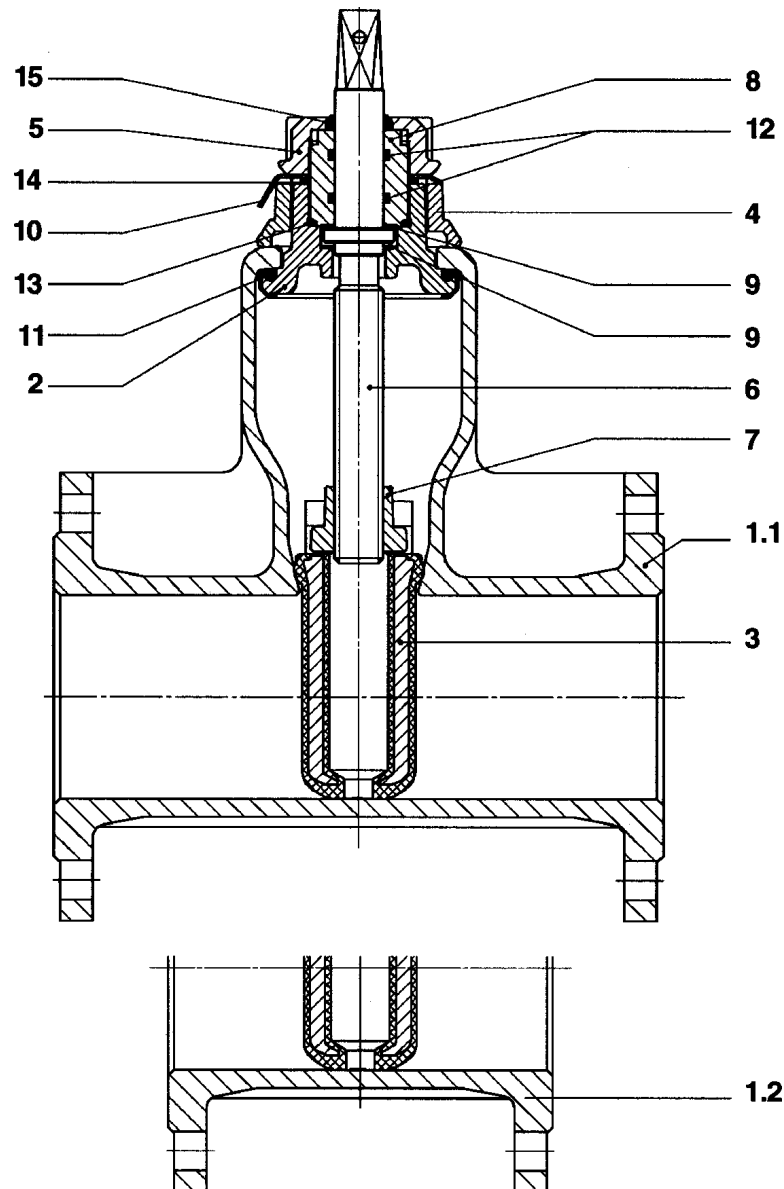


# VAG BETA<sup>®</sup> 200 Gate Valve

## DN 40...125 PN 10/16

Design: as of 2003



Part	Description	Material	
1.1	Body	face to face EN 558-1 series 15	GGG-40
1.2			
2	Bonnet	GGG-40	
3	Wedge, fully covered with rubber	GGG-40 / EPDM	
4	Support ring	GGG-40	
5	Bearing nut	GGG-40	
6	Stem	X 20 Cr 13	
7	Stem nut	Cu Zn 40 Pb 2	
8	Stem bearing	Cu Zn 40 Pb 2	
9	Sliding disk	POM	
10	Locking disk with mark	X 6 Cr Ni Ti 18 10	
11	Bonnet seal ring	EPDM	
12	O-ring (Stem bearing-Stem)	NBR	
13	Seal ring (Stem bearing-Stem)	NBR	
14	O-ring (Stem bearing-Bearing nut)	NBR	
15	Wiper ring	PUR	

We reserve the right to make technical changes and use similar or higher-quality materials.  
Drawings are non-binding.

**KAT 10 10 - E1**

(as of 2003)

## Spare parts list

Part	Description	piece	code number
<b>DN 40 / 50</b>			
	<b>SET 1</b>	<b>1</b>	<b>2-28-00670-000</b>
9	Sliding washer		
11	Bonnet seal ring		
12	O-ring		
13	Seal ring		
14	O-ring		
15	Wiper ring		
3	<b>SET 2 W Wedge fully covered with rubber (EPDM)</b>	<b>1</b>	<b>2-28-00770-003</b>
3	<b>SET 2 G Wedge fully covered with rubber (NBR)</b>	<b>1</b>	<b>2-28-00770-002</b>
	<b>SET 3</b>	<b>1</b>	<b>2-28-00670-001</b>
6	Stem		
7	Stem nut		
8	Stem bearing		
<b>DN 65 / 80</b>			
	<b>SET 1</b>	<b>1</b>	<b>2-28-00671-000</b>
9	Sliding washer		
11	Bonnet seal ring		
12	O-ring		
13	Seal ring		
14	O-ring		
15	Wiper ring		
3	<b>SET 2 W Wedge fully covered with rubber (EPDM)</b>	<b>1</b>	<b>2-28-00771-003</b>
3	<b>SET 2 G Wedge fully covered with rubber (NBR)</b>	<b>1</b>	<b>2-28-00771-002</b>
	<b>SET 3</b>	<b>1</b>	<b>2-28-00671-001</b>
6	Stem		
7	Stem nut		
8	Stem bearing		
<b>DN 100</b>			
	<b>SET 1</b>	<b>1</b>	<b>2-28-00672-000</b>
9	Sliding washer		
11	Bonnet seal ring		
12	O-ring		
13	Seal ring		
14	O-ring		
15	Wiper ring		
3	<b>SET 2 W Wedge fully covered with rubber (EPDM)</b>	<b>1</b>	<b>2-28-00772-003</b>
3	<b>SET 2 G Wedge fully covered with rubber (NBR)</b>	<b>1</b>	<b>2-28-00772-002</b>
	<b>SET 3</b>	<b>1</b>	<b>2-28-00672-001</b>
6	Stem		
7	Stem nut		
8	Stem bearing		
<b>DN 125</b>			
	<b>SET 1</b>	<b>1</b>	<b>2-28-00673-000</b>
9	Sliding washer		
11	Bonnet seal ring		
12	O-ring		
13	Seal ring		
14	O-ring		
15	Wiper ring		
3	<b>SET 2 W Wedge fully covered with rubber (EPDM)</b>	<b>1</b>	<b>2-28-00773-003</b>
3	<b>SET 2 G Wedge fully covered with rubber (NBR)</b>	<b>1</b>	<b>2-28-00773-002</b>
	<b>SET 3</b>	<b>1</b>	<b>2-28-00673-001</b>
6	Stem		
7	Stem nut		
8	Stem bearing		



VAG-Armaturen GmbH  
 Carl-Reuther-Straße 1  
 D-68305 Mannheim  
 P.O.B. 31 05 48  
 D-68265 Mannheim  
 Phone (0621) 749 - 0  
 Fax (0621) 749 - 2153  
 Internet: www.vag-armaturen.com

© by VAG-Armaturen GmbH