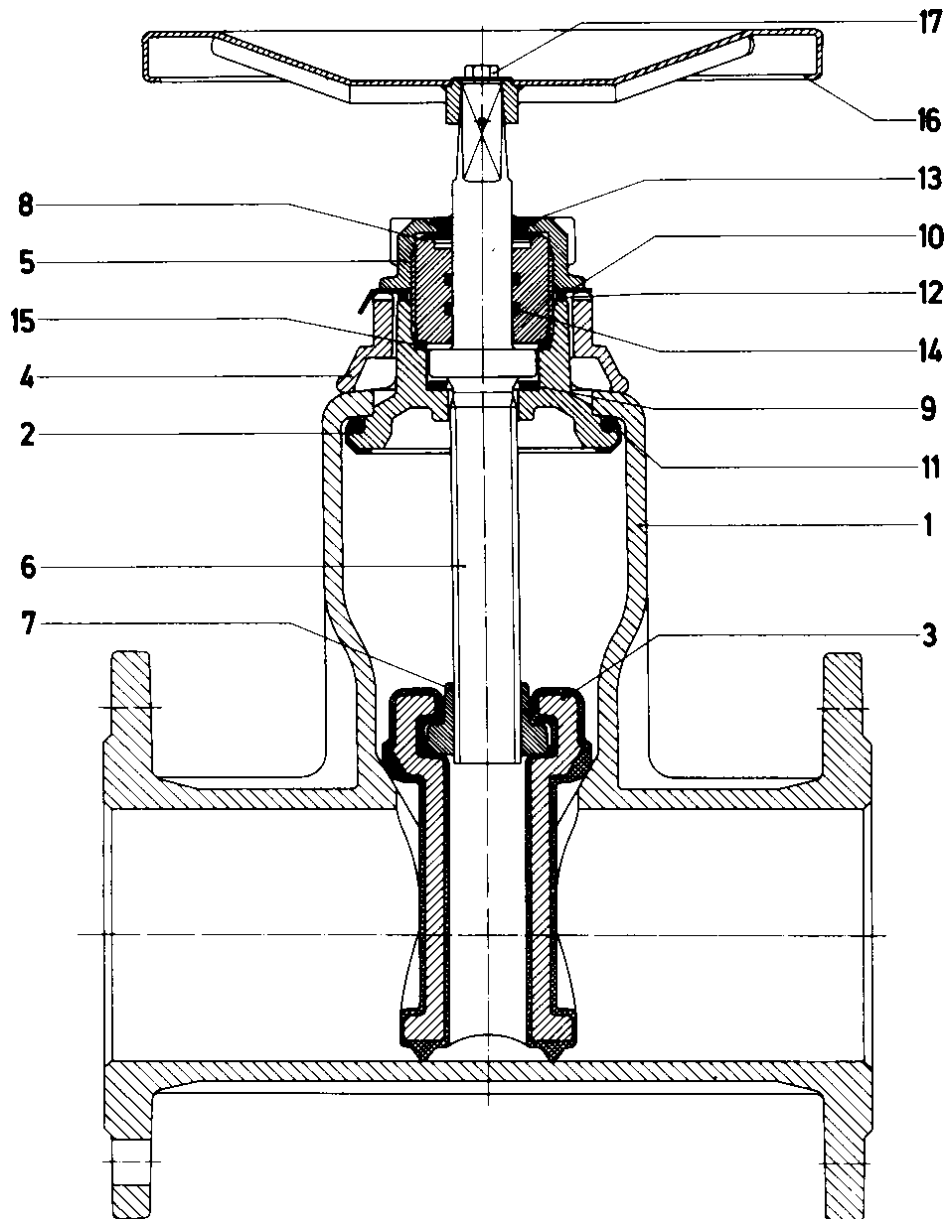


# VAG BETA<sup>®</sup> 200 Gate Valve

## DN 40...80 PN 10/16

Design: by the end of 2002



Teil Part	Benennung / Description	
1	Gehäuse 1.1 mit Flanschen Baulänge Reihe F 5 1.2 mit Flanschen Baulänge Reihe F 4	Body 1.1 with flanges, face to face series F 5 1.2 with flanges, face to face series F 4
2	Deckel	Bonnet
3	Abschlußkörper, allseitig gummiert	Wedge, fully covered with rubber
4	Stützring	Support ring
5	Lagemutter	Bearing nut
6	Spindel	Stem
7	Spindelmutter	Stem nut
8	Spindellager	Stem bearing
9	Gleitscheibe	Sliding disk
10	Arretierscheibe mit Kennzeichnung	Locking disk with mark
11	Profilring	Bonnet seal ring
12	Dichtung	Seal ring
13	Abstreifring	Wiper ring
14	O-Ring	O-ring
15	Dichtring für Spindellager	Seal ring for stem bearing

We reserve the right to make technical changes and use similar or higher-quality materials.  
Drawings are non-binding.

**KAT 10 10 - E1**

(by the end of 2002)

## Spare parts list

Part	Description	piece	code number
<b>DN 40 / 50</b>			
	<b>SET 1G</b>	1	2-11-20885-000
	<b>SET 1W</b>	1	2-11-20885-001
9	Sliding disk		
10	Locking disk		
11	Bonnet seal ring		
12	Seal ring		
13	Wiper ring		
3	<b>SET 2G Wedge, fully covered with rubber</b>	1	1-11-20879-000
3	<b>SET 2W Wedge, fully covered with rubber</b>	1	1-11-20879-001
6	<b>SET 3 Stem</b>	1	1-11-20882-550
7	<b>SET 4 Stem nut</b>	1	1-11-20883-650
8	<b>SET 5G Stem bearing</b>	1	2-11-21178-000
8	<b>SET 5W Stem bearing</b>	1	2-11-21178-001
14	O-ring		
15	Seal ring		
	<b>SET 6G</b>	1	2-11-20935-000
	<b>SET 6W</b>	1	2-11-20935-001
4	Support ring		
5	Bearing nut		
10	Locking disk		
12	Seal ring		
13	Wiper ring		
<b>DN 65</b>			
	<b>SET 1G</b>	1	2-11-20897-000
	<b>SET 1W</b>	1	2-11-20897-001
9	Sliding disk		
10	Locking disk		
11	Bonnet seal ring		
12	Seal ring		
13	Wiper ring		
3	<b>SET 2G Wedge, fully covered with rubber</b>	1	1-11-20894-000
3	<b>SET 2W Wedge, fully covered with rubber</b>	1	1-11-20894-001
6	<b>SET 3 Stem</b>	1	1-11-20896-550
7	<b>SET 4 Stem nut</b>	1	1-11-20770-650
8	<b>SET 5G Stem bearing</b>	1	2-11-21179-000
8	<b>SET 5W Stem bearing</b>	1	2-11-21179-001
14	O-ring		
15	Seal ring		
	<b>SET 6G</b>	1	2-11-20936-000
	<b>SET 6W</b>	1	2-11-20936-001
4	Support ring		
5	Bearing nut		
10	Locking disk		
12	Seal ring		
13	Wiper ring		
<b>DN 80</b>			
	<b>SET 1G</b>	1	2-11-20899-000
	<b>SET 1W</b>	1	2-11-20899-001
9	Sliding disk		
10	Locking disk		
11	Bonnet seal ring		
12	Seal ring		
13	Wiper ring		
3	<b>SET 2G Wedge, fully covered with rubber</b>	1	1-11-20766-000
3	<b>SET 2W Wedge, fully covered with rubber</b>	1	1-11-20766-001
6	<b>SET 3 Stem</b>	1	1-11-20769-550
7	<b>SET 4 Stem nut</b>	1	1-11-20770-650
8	<b>SET 5G Stem bearing</b>	1	2-11-21179-000
8	<b>SET 5W Stem bearing</b>	1	2-11-21179-001
14	O-ring		
15	Seal ring		
	<b>SET 6G</b>	1	2-11-20937-000
	<b>SET 6W</b>	1	2-11-20937-001
4	Support ring		
5	Bearing nut		
10	Locking disk		
12	Seal ring		
13	Wiper ring		



VAG-Armaturen GmbH  
 Carl-Reuther-Straße 1  
 D-68305 Mannheim  
 P.O.B. 31 05 48  
 D-68265 Mannheim  
 Phone (0621) 749 - 0  
 Fax (0621) 749 - 2153  
 Internet: www.vag-armaturen.com

© by VAG-Armaturen GmbH