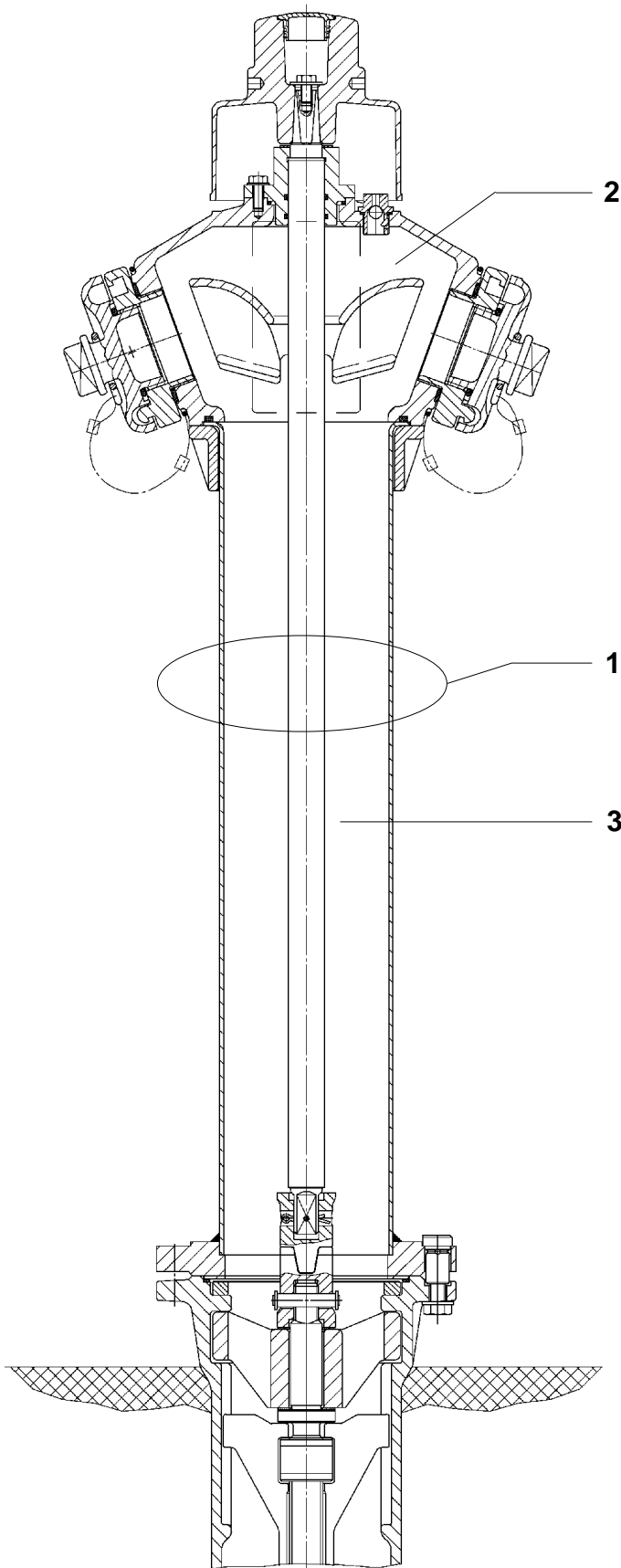


# VAG NOVA NIRO Standpost Hydrant



DN 80 / 100 PN 16 / Type AUD



Part	Description
1	Upper pillar compl. all mounting parts and gasket
2	Hydrant head compl. - Coupling, Coupling cover - Gasket - connecting parts
3	Middle pillar / stainless Steel loose flange / gasket

None listed parts have the same design as  
**KAT 16 13 01 - E** (UEH NOVA DN 80)  
and  
**KAT 16 13 02 - E** (UEH NOVA DN 100)

## Spare parts list

Part	Description	piece	code number
1.1	<b>SET 200 Upper pillar NOVA NIRO DN 80 compl.</b> all mounting parts and gasket		2-17-13425-300
1.2	<b>SET 201 Upper pillar NOVA NIRO DN 100 compl.</b> all mounting parts and gasket / without A-extraction		2-17-13425-311
1.3	<b>SET 202 Upper pillar NOVA NIRO DN 100 compl.</b> with A-extractinn		2-17-13425-312
2.1	<b>SET 60 Hydrant head NOVA NIRO DN 80 compl. with</b> - Coupling size B, coupling cover und holding rope - Rating plate DN 80 - Gasket - connecting parts		2-17-13425-160
2.2	<b>SET 61 Hydrant head NOVA NIRO DN 100 compl. with</b> - Coupling size B, coupling cover und holding rope - Rating plate DN 100 - Gasket - connecting parts		2-17-13425-161
3.1	<b>SET 62 Middle upper NOVA NIRO DN 80 compl.</b> with gasket - connecting parts		2-17-13425-162
3.2	<b>SET 63 Middle upper NOVA NIRO DN 100 compl.</b> with gasket - connecting parts / without A-extraction		2-17-13425-163



VAG-Armaturen GmbH  
Carl-Reuther-Straße 1  
D-68305 Mannheim  
P.O.B. 31 05 48  
D-68265 Mannheim  
Phone (0621) 749 - 0  
Fax (0621) 749 - 2153  
Internet: [www.vag-armaturen.com](http://www.vag-armaturen.com)

© by VAG-Armaturen GmbH