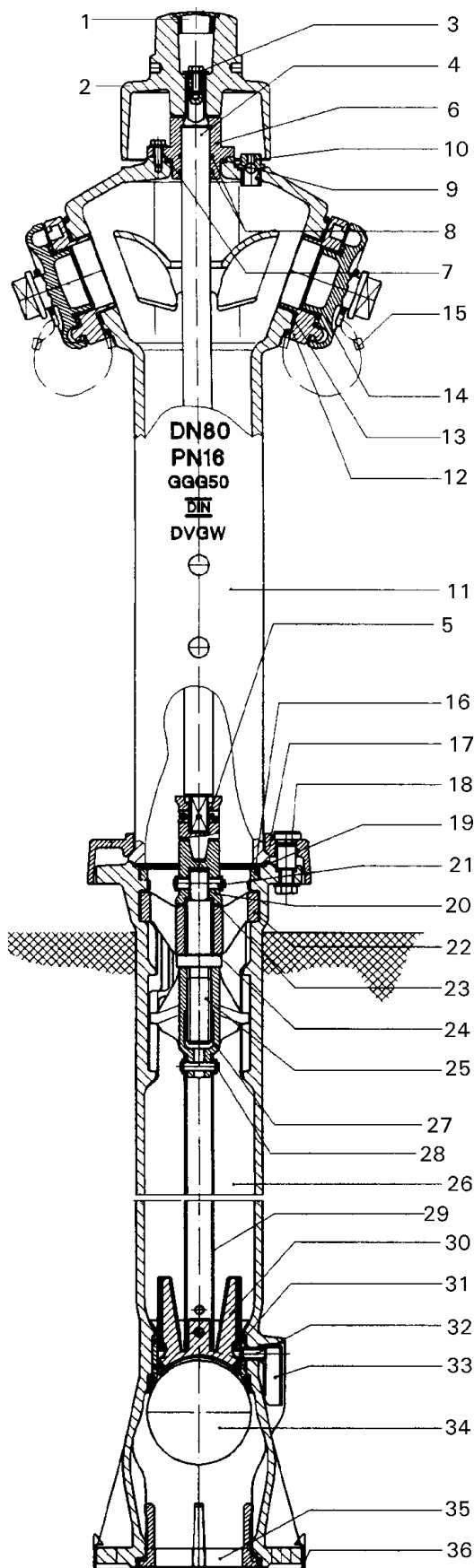


VAG NOVA 284 Standpost Hydrant



DN 80 PN 16

Type AUD



Part	Description
1	Plug
2	Bonnet
3	Hexagon screw / washer
4	Stem extension
5	Coupling parts / split pin
6	Bearing top
7	Hexagon screw / washer
8	O-ring
9	O-ring
10	Venting valve, compl.
11	Upper pillar
12	Coupling size B
13	Gasket
14	Coupling cover size B / o-ring
15	Holding rope / ferrule / clamp
16	Locking ring
17	Flange segment
18	Repture nut / hexagon screw / washer
19	O-ring
	Stem parts, compl.
20	Coupling parts
21	Riveted bolt / washer
22	Stem bearing
23	Sliding disc
24	Sliding disc
25	Stem
26	Lower pillar
	Internal parts, compl.
27	Stem nut
28	Riveted bolt / washer
29	Thrust tube
30	Valce cone
	Valve cone / screw / nut
31	Valve seat socket, compl.
	Profiled gasket
	Valve seat socket
	O-ring
32	Bush
33	Draining duct
34	Float ball
35	Gasket
36	Protection cap

Spare parts list

Part	Description	piece	code number
	SET 1 Bonnet		2-17-13425-071
1	Plug	1	
2	Bonnet	1	
3	Hexagon screw / washer	1	
	SET 2 Extension stem		2-17-13425-072
4	Stem extension	1	
5	Coupling parts / split pin	1	
3	Hexagon screw / washer	1	
	SET 3 Bearing top, compl.		2-17-13425-073
6	Bearing top	1	
7	Hexagon screw / washer	4	
8	O-ring	1	
9	O-ring	1	
	SET 4 Venting valve		2-17-13425-074
10	Venting valve, compl.	1	
	SET 5 Upper pillar		2-17-13425-075
11	Upper pillar	1	
12	Coupling size B	1	
13	Gasket	1	
19	O-ring	1	
	SET 6 Coupling size B with gasket		2-17-13425-076
12	Coupling size B	1	
13	Gasket	1	
	SET 7 Coupling cover size B with holding rope		2-17-13425-077
14	Coupling cover size B / gasket	1	
15	Holding rope / ferrule / clamp	1	
	SET 8 Repture nut		2-17-13425-078
18	Repture nut / hexagon screw / washer	4	
19	O-ring	1	
	SET 9 Stem parts, compl.		2-17-13425-079
20	Coupling parts	1	
21	Riveted bolt / washer	2	
22	Stem bearing	1	
23	Sliding disk	1	
24	Sliding disk	1	
25	Stem	1	
19	O-ring	1	
	SET 10a Internal parts, compl. RD 1,00 m		2-17-13425-301
	SET 10b Internal parts, compl. RD 1,25 m		2-17-13425-302
	SET 10c Internal parts, compl. RD 1,50 m		2-17-13425-303
19	O-ring	1	
27	Stem nut	1	
28	Riveted bolt / washer	2	
29	Thrust tube	1	
30	Valve cone	2	
30	SET 11 Valve cone (predrilled)		2-17-13425-085
	Valve cone / screw / nut	1	
33	SET 12 Drain guard		2-17-13425-082
35	SET 13 Gasket		2-17-13425-083
	SET 30 upper pillar DN 80 compl.		2-17-13425-080
	SET Gasket / Bearing disk DN 80 / 100		2-17-13425-084
8	O-ring (bearing / stem)	2	
9	O-ring (bearing top)	1	
38	O-ring (header / middle pillar)	1	
39 / 23	Sliding disk (POM)	2	
19	O-ring (upper/lower pillar) DN 80	1	
19	O-ring (upper/lower pillar) DN 100	1	
24	Sliding disk (NIRO / PTFE)	1	
40	Gasket (coupling cover size B)	2	
	Gasket (coupling cover size A)	1	
	O-ring (Drop jacket - Valve head)	1	
34	Hollow ball	1	1-17-13221-005
36	Protection cap	1	2-17-13129-005
16	Locking ring	1	1-17-13519-005
17	Flange segment	2	1-17-13260-005



VAG-Armaturen GmbH
 Carl-Reuther-Straße 1
 D-68305 Mannheim
 P.O.B. 31 05 48
 D-68265 Mannheim
 Phone (0621) 749 - 0
 Fax (0621) 749 - 2153
 Internet: www.vag-armaturen.com

© by VAG-Armaturen GmbH