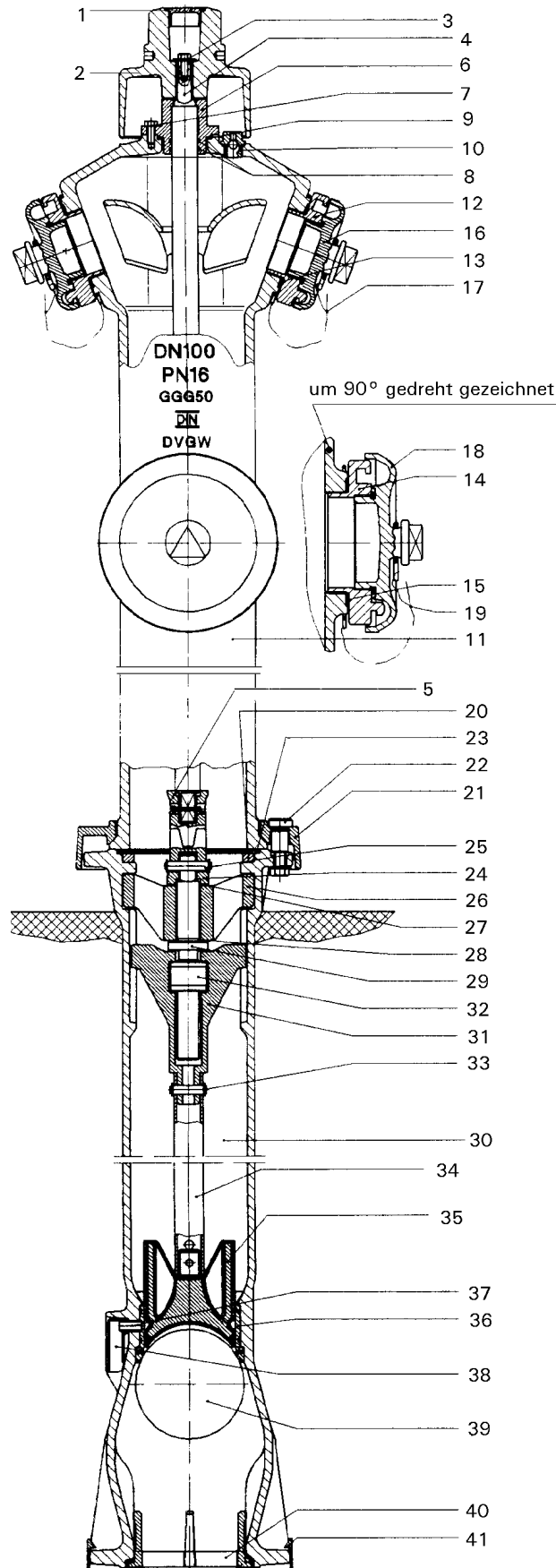


# VAG NOVA 284 Standpost Hydrant



## DN 100 PN 16

### Type AUD



Part	Description
1	Plug
2	Bonnet
3	Hexagon screw / washer
4	Stem extension
5	Coupling parts / split pin
6	Bearing top
7	Hexagon screw / washer
8	O-ring
9	O-ring
10	Venting valve, compl.
11	Upper pillar
12	Coupling size B
13	Gasket
14	Coupling size A
15	Gasket
16	Coupling cover size B / o-ring
17	Holding rope / ferrule / clamp
18	Coupling cover size A / o-ring
19	Holding rope / ferrule / clamp
20	Locking ring
21	Flange segment
22	Repture nut / hexagon screw / washer
23	O-ring
<b>Stem parts, compl.</b>	
24	Coupling parts
25	Riveted bolt / washer
26	Stem bearing
27	Sliding disc
28	Sliding disc
29	Stem
30	Lower pillar
<b>Internal parts, compl.</b>	
31	Stem seat
32	Stem nut
33	Riveted bolt / washer
34	Thrust tube
35	Valce cone
Valve cone / screw / nut	
<b>36 Valve seat socket, compl.</b>	
Profiled gasket	
Valve seat socket	
O-ring	
37	Bush
38	Draining duct
39	Float ball
40	Gasket
41	Protection cap

## Spare parts list

Part	Description	piece	code number
	<b>SET 1 Bonnet</b>		<b>2-17-13425-071</b>
1	Plug	3	
2	Bonnet	1	
3	Hexagon screw	1	
	<b>SET 2 Extension stem</b>		<b>2-17-13425-072</b>
4	Stem extension	1	
5	Coupling parts / split pin	1	
3	Hexagon screw	1	
	<b>SET 3 Bearing top, compl.</b>		<b>2-17-13425-073</b>
6	Bearing top	1	
7	Hexagon screw / washer	4	
8	O-ring	1	
9	O-ring	1	
	<b>SET 4 Venting valve</b>		<b>2-17-13425-074</b>
10	Venting valve, compl.	2	
	<b>SET 15 Coupling size A</b>		<b>2-17-13425-095</b>
14	Coupling size A		
13	Gasket		
	<b>SET 6 Coupling size B / gasket</b>		<b>2-17-13425-076</b>
12	Coupling size B	1	
13	Gasket	1	
	<b>SET 7 Coupling cover size B with holding rope</b>		<b>2-17-13425-077</b>
16	Coupling cover size B / Gasket	1	
17	Holding rope / ferrule / clamp	1	
	<b>SET 8 Repture nut</b>		<b>2-17-13425-078</b>
22	Repture nut / washer	4	
23	O-ring	1	
	<b>SET 16 Coupling cover size A with holding rope</b>		<b>2-17-13425-096</b>
18	Coupling cover size A / Gasket	1	
19	Holding rope / ferrule / clamp	1	
	<b>SET 17 Stem parts, compl.</b>		<b>2-17-13425-097</b>
24	Coupling parts	1	
25	Riveted bolt / washer	2	
26	Stem bearing	1	
27	Sliding disc	1	
28	Sliding disc	1	
29	Stem	1	
23	O-ring	1	
	<b>SET 18a Internal parts, compl. RD 1,25 m</b>		<b>2-17-13425-191</b>
	<b>SET 18b Internal parts, compl. RD 1,50 m</b>		<b>2-17-13425-192</b>
31	Stem seat	1	
32	Stem nut	1	
33	Riveted bolt / washer	2	
34	Thrust tube	1	
35	Valve cone	2	
35	<b>SET 19 Valve cone (predrilled)</b>		<b>2-17-13425-099</b>
	Valve cone / screw / nut	1	
38	<b>SET 12 Draining duct</b>		<b>2-17-13425-082</b>
40	<b>SET 20 Gasket</b>		<b>2-17-13425-100</b>
	<b>SET 31 Upper pillar DN 100 compl.</b>		<b>2-17-13425-111</b>
	<b>SET Gasket / Bearing disc DN 80 /100</b>		<b>2-17-13425-084</b>
8	O-ring (bearing / Stem)	2	
9	O-ring (bearing top)	1	
38	O-ring (header / inside pillar)	1	
39 / 23	Sliding disc (POM)	2	
19	O-ring (upper / lower Säule) DN 80	1	
19	O-ring (upper / lower Säule) DN 100	1	
24	Sliding disc (NIRO / PTET)	1	
40	Gasket (coupling cover size B)	2	
	Gasket (coupling cover size A)	1	
	O-ring (Drop jacket - Valve head DN 100)	1	
20	Locking ring	1	1-17-13520-005
21	Flange segment	1	1-17-13261-005
39	Float ball	1	1-17-13270-005
41	Protection cap	1	2-17-13287-005



VAG-Armaturen GmbH  
 Carl-Reuther-Straße 1  
 D-68305 Mannheim  
 P.O.B. 31 05 48  
 D-68265 Mannheim  
 Phone (0621) 749 - 0  
 Fax (0621) 749 - 2153  
 Internet: www.vag-armaturen.com

© by VAG-Armaturen GmbH