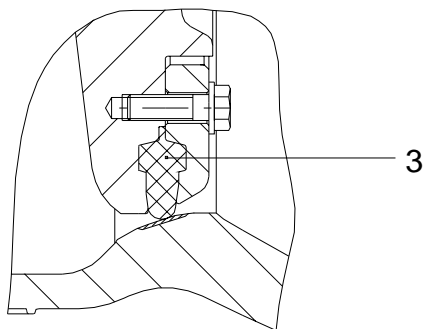
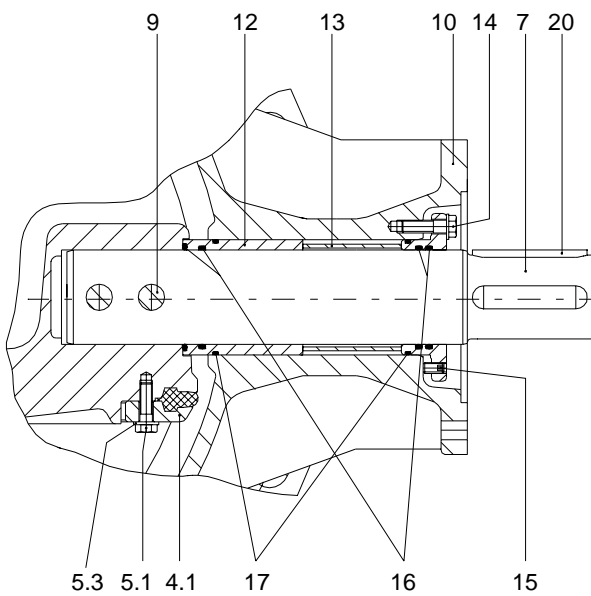
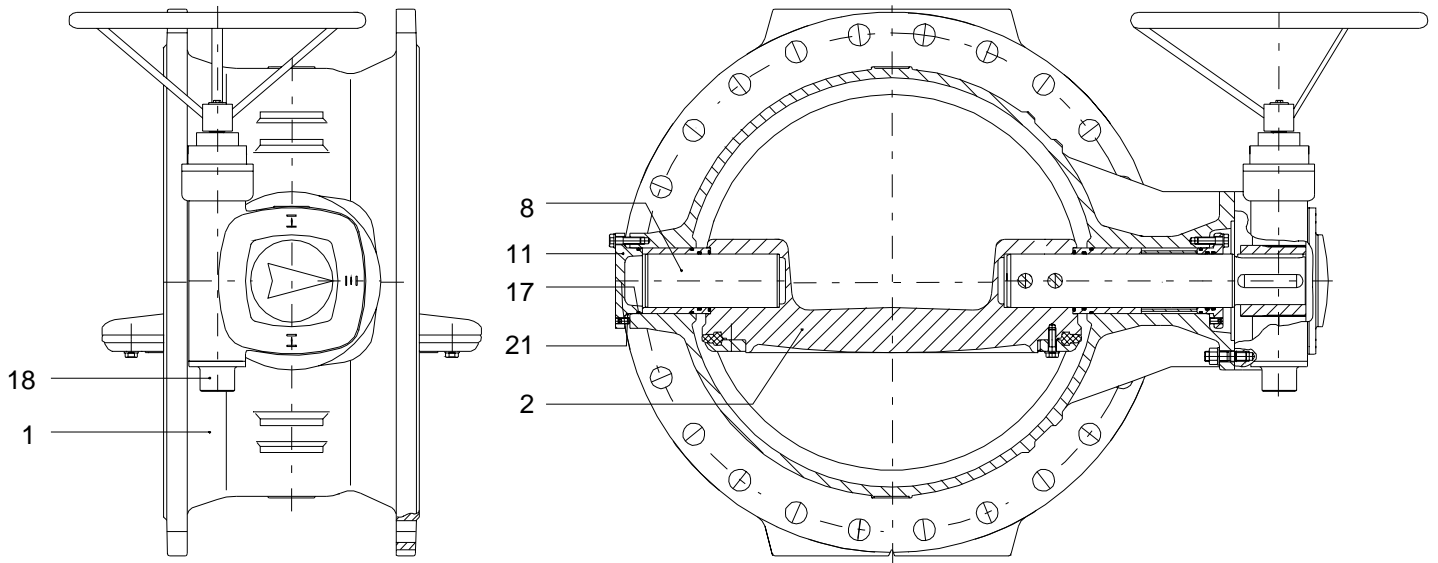


VAG EKN[®]188 Butterfly Valves

DN 500...600 PN 10 / 16 / 25



Teil Part	Benennung / Description	Material	1) 2)
1	Gehäuse <i>Body</i>	GGG-40	
2	Klappenscheibe <i>Disk</i>	GGG-40	
3	Profildichtring <i>Profile sealing ring</i>	EPDM / NBR	• •
4 .1	Haltering DN150...1200 <i>Retaining ring</i>	GGG-40 / St 37	•
5 .1	6kt.-Schraube <i>Hexagon bolt</i>	A4	• •
5 .3	Scheibe <i>Washer</i>	A4	•
6	Gewindestift <i>Hex. Sock. Set screw</i>	A4	•
7	Welle, Antriebsseite <i>Shaft, driven end</i>	X 20 Cr 13	•
8	Welle, Deckelseite <i>Shaft, free end</i>	X 20 Cr 13	•
9	Nietstift Kegelstift mit Verschlusschraube <i>Rivet pins</i> <i>Taper pins with</i> <i>hex. Socket pipe plugs</i>	X 20 Cr 13 X 35 Cr Mo 17 5.8	
10	Lagerflansch <i>Bearing flange</i>	GGG-50	
11	Lagerdeckel <i>Bearing cover</i>	GGG-50	
12	Lagerbuchse <i>Bearing bush</i>	G Cu Sn 10	•
13	Distanzbuchse <i>Spacer bush</i>	X 6 Cr Ni Mo Ti 17 12 2	
14	6kt.-Schraube mikroverkapselt <i>Hexagon bolt</i>	A4	•
15	Gewindestift <i>Washer</i>	A4	
16	O-Ring <i>O-ring</i>	EPDM / NBR	• •
17	O-Ring <i>O-ring</i>	EPDM / NBR	• •
18	Schneckengetriebe kompl. <i>Worm gear unit</i>		
20	Passfeder <i>Parallel key</i>	C 45 K	
21	O-Ring DN 150...400 <i>O-ring</i>	EPDM	• •

1) Empfohlene Ersatzteile / Recommended spare parts

2) Verschleißteile / Parts subject to wear

Spare parts list

Part	Description	piece	code number
DN 500 PN 10			
SET 1 Profile sealing ring / Retaining ring			
3	Profile sealing ring	1	2-23-37991-300
4.1	Retaining ring	1	
5.1	Hexagon bolt	12	
5.3	Washer	12	
SET 2 Gaskets			
3	Profile sealing ring	1	2-23-37991-201
16	O-ring	6	
17	O-ring	4	
7	Shaft, driven end GS.3	1	1-23-38837-550
8	Shaft, free end	1	1-23-37439-550
12	Bearing bush	2	1-23-37661-250
DN 500 PN 16			
SET 1 Profile sealing ring / Retaining ring			
3	Profile sealing ring	1	2-23-37991-300
4.1	Retaining ring	1	
5.1	Hexagon bolt	12	
5.3	Washer	12	
SET 2 Gaskets			
3	Profile sealing ring	1	2-23-37992-201
16	O-ring	6	
17	O-ring	4	
7	Shaft, driven end GS.3	1	1-23-37328-550
8	Shaft, free end	1	1-23-37329-550
12	Bearing bush	2	1-23-37604-250
DN 500 PN 25			
SET 1 Profile sealing ring / Retaining ring			
3	Profile sealing ring	1	2-23-37991-300
4.1	Retaining ring	1	
5.1	Hexagon bolt	12	
5.3	Washer	12	
SET 2 Gaskets			
3	Profile sealing ring	1	2-23-38272-301
16	O-ring	6	
17	O-ring	4	
7	Shaft, driven end GS.3	1	1-23-37423-550
8	Shaft, free end	1	1-23-37420-550
12	Bearing bush	2	1-23-37819-250
DN 600 PN 10			
SET 1 Profile sealing ring / Retaining ring			
3	Profile sealing ring	1	2-23-37993-300
4.1	Retaining ring	1	
5.1	Hexagon bolt	16	
5.3	Washer	16	
SET 2 Gaskets			
3	Profile sealing ring	1	2-23-37993-201
16	O-ring	6	
17	O-ring	4	
7	Shaft, driven end GS.3	1	1-23-37328-550
8	Shaft, free end	1	1-23-37329-550
12	Bearing bush	2	1-23-37604-250
DN 600 PN 16			
SET 1 Profile sealing ring / Retaining ring			
3	Profile sealing ring	1	2-23-37993-300
4.1	Retaining ring	1	
5.1	Hexagon bolt	16	
5.3	Washer	16	
SET 2 Gaskets			
3	Profile sealing ring	1	2-23-37994-201
16	O-ring	6	
17	O-ring	4	
7	Shaft, driven end GS.3	1	1-23-37423-550
8	Shaft, free end	1	1-23-37420-550
12	Bearing bush	2	1-23-37819-250
DN 600 PN 25			
SET 1 Profile sealing ring / Retaining ring			
3	Profile sealing ring	1	2-23-37993-300
4.1	Retaining ring	1	
5.1	Hexagon bolt	16	
5.3	Washer	16	
SET 2 Gaskets			
3	Profile sealing ring	1	2-23-38273-301
16	O-ring	6	
17	O-ring	4	
7	Shaft, driven end GS.3	1	1-23-37643-550
8	Shaft, free end	1	1-23-38264-550
12	Bearing bush	2	1-23-37642-250



VAG-Armaturen GmbH
 Carl-Reuther-Straße 1
 D-68305 Mannheim
 P.O.B. 31 05 48
 D-68265 Mannheim
 Phone (0621) 749 - 0
 Fax (0621) 749 - 2153
 Internet: www.vag-armaturen.com

© by VAG-Armaturen GmbH