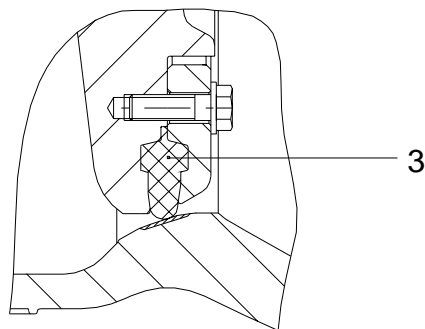
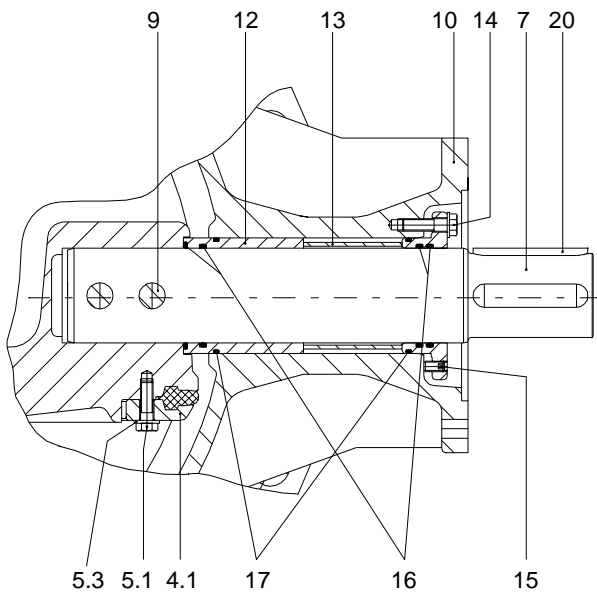
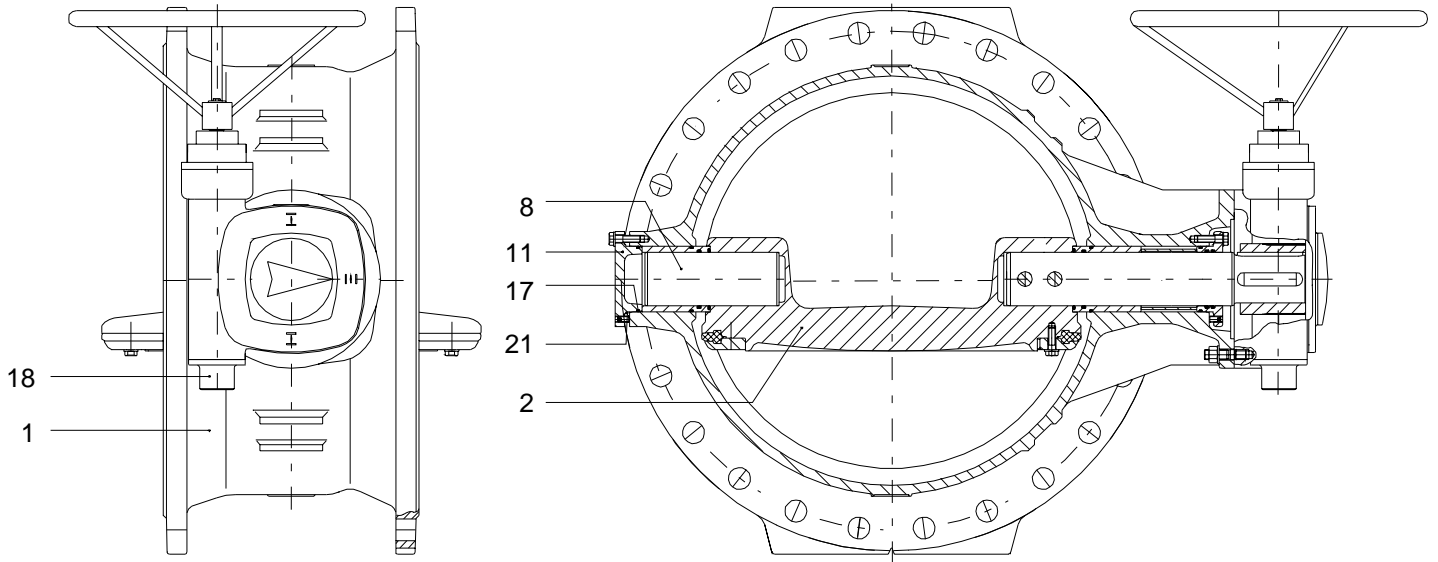


# VAG EKN<sup>®</sup>188 Butterfly Valves

## DN 1100...1200 PN 6 / 10 / 16



Teil Part	Benennung / Description	Material	1) 2)
1	Gehäuse Body	GGG-40	
2	Klappenscheibe Disk	GGG-40	
3	Profildichtring Profile sealing ring	EPDM / NBR	• •
4 .1	Haltering DN150...1200 Retaining ring	GGG-40 / St 37	•
5 .1	6kt.-Schraube Hexagon bolt	A4	•
5 .3	Scheibe Washer	A4	•
6	Gewindestift Hex. Sock. Set screw	A4	•
7	Welle, Antriebsseite Shaft, driven end	X 20 Cr 13	•
8	Welle, Deckelseite Shaft, free end	X 20 Cr 13	•
9	Nietstift Kegelstift mit Verschlusschraube Rivet pins Taper pins with hex. Socket pipe plugs	X 20 Cr 13 X 35 Cr Mo 17 5.8	
10	Lagerflansch Bearing flange	GGG-50	
11	Lagerdeckel Bearing cover	GGG-50	
12	Lagerbuchse Bearing bush	G Cu Sn 10	•
13	Distanzbuchse Spacer bush	X 6 Cr Ni Mo Ti 17 12 2	
14	6kt.-Schraube mikroverkapselt Hexagon bolt	A4	•
15	Gewindestift Washer	A4	
16	O-Ring O-ring	EPDM / NBR	• •
17	O-Ring O-ring	EPDM / NBR	• •
18	Schneckengetriebe kompl. Worm gear unit		
20	Passfeder Parallel key	C 45 K	
21	O-Ring DN 150...400 O-ring	EPDM	• •

1) Empfohlene Ersatzteile / Recommended spare parts

2) Verschleißteile / Parts subject to wear

## Spare parts list

Part	Description	piece	code number
<b>DN 1100 PN 10</b>			
	<b>SET 1 Profile sealing ring / Retaining ring</b>	<b>1</b>	<b>2-23-38005-300</b>
3	Profile sealing ring	1	
4.1	Retaining ring	1	
5.1	Hexagon bolt	24	
5.3	Washer	24	
6	Set screw	24	
	<b>SET 2 Gaskets</b>	<b>1</b>	<b>2-23-38005-301</b>
3	Profile sealing ring	1	
16	O-ring	6	
17	O-ring	4	
7	Shaft, driven end GS.3	1	1-23-38610-550
8	Shaft, free end	1	1-23-38584-550
12	Bearing bush	2	1-23-38585-250
<b>DN 1200 PN 6</b>			
	<b>SET 1 Profile sealing ring / Retaining ring</b>	<b>1</b>	<b>2-23-39277-300</b>
3	Profile sealing ring	1	
4.1	Retaining ring	1	
5.1	Hexagon bolt	24	
5.3	Washer	24	
6	Set screw	12	
	<b>SET 2 Gaskets</b>	<b>1</b>	<b>2-23-39277-301</b>
3	Profile sealing ring	1	
16	O-ring	6	
17	O-ring	4	
7	Shaft, driven end GS.3	1	1-23-38600-550
8	Shaft, free end	1	1-23-38584-550
12	Bearing bush	2	1-23-38585-250
<b>DN 1200 PN 10</b>			
	<b>SET 1 Profile sealing ring / Retaining ring</b>	<b>1</b>	<b>2-23-39277-300</b>
3	Profile sealing ring	1	
4.1	Retaining ring	1	
5.1	Hexagon bolt	24	
5.3	Washer	24	
6	Set screw	12	
	<b>SET 2 Gaskets</b>	<b>1</b>	<b>2-23-38007-301</b>
3	Profile sealing ring	1	
16	O-ring	6	
17	O-ring	4	
7	Shaft, driven end GS.3	1	1-23-38906-550
8	Shaft, free end	1	1-23-38907-550
12	Bearing bush	2	1-23-38908-250
<b>DN 1200 PN 16</b>			
	<b>SET 1 Profile sealing ring / Retaining ring</b>	<b>1</b>	<b>2-23-39277-300</b>
3	Profile sealing ring	1	
4.1	Retaining ring	1	
5.1	Hexagon bolt	24	
5.3	Washer	24	
6	Set screw	12	
	<b>SET 2 Gaskets</b>	<b>1</b>	<b>2-23-38008-301</b>
3	Profile sealing ring	1	
16	O-ring	6	
17	O-ring	4	
7	Shaft, driven end GS.3	1	1-23-38991-550
8	Shaft, free end	1	1-23-38992-550
12	Bearing bush	2	1-23-38706-250



VAG-Armaturen GmbH  
 Carl-Reuther-Straße 1  
 D-68305 Mannheim  
 P.O.B. 31 05 48  
 D-68265 Mannheim  
 Phone (0621) 749 - 0  
 Fax (0621) 749 - 2153  
 Internet: www.vag-armaturen.com

© by VAG-Armaturen GmbH