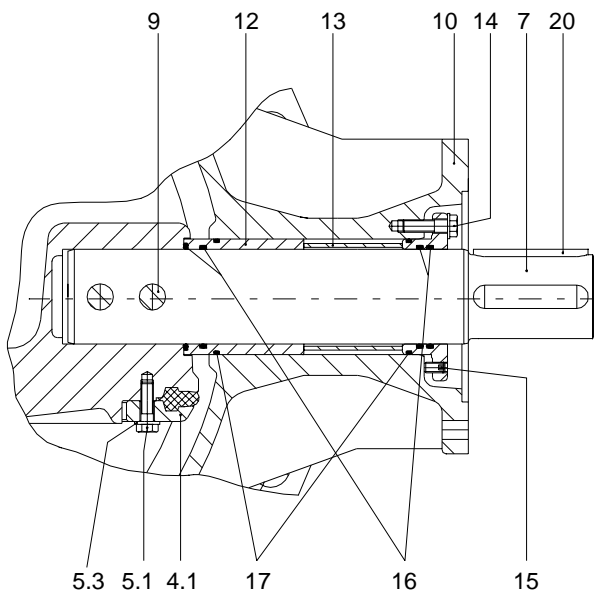
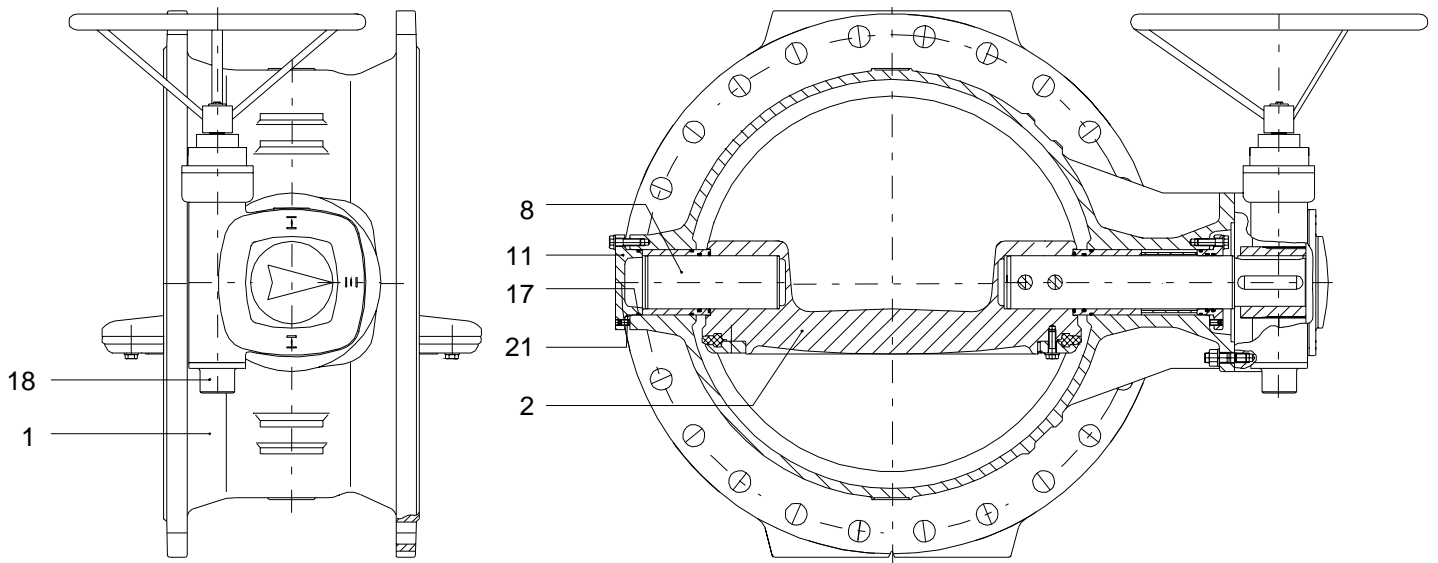
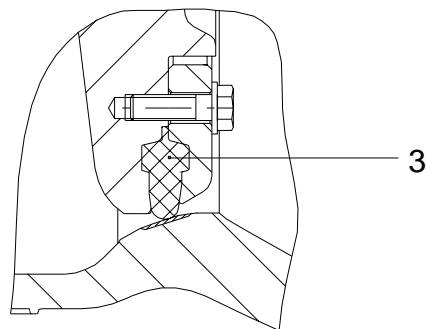


VAG EKN[®]188 Butterfly Valves

DN 1000 PN 6 / 10 / 16 / 25



5.3 5.1 4.1 17 16 15



| Teil Part | Benennung / Description | Material | 1) 2) |
|--------------|---|------------------------------------|-------|
| 1 | Gehäuse Body | GGG-40 | |
| 2 | Klappenscheibe Disk | GGG-40 | |
| 3 | Profildichtring Profile sealing ring | EPDM / NBR | • • |
| 4 .1 | Haltering DN150...1200 Retaining ring | GGG-40 / St 37 | • |
| 5 .1 | 6kt.-Schraube Hexagon bolt | A4 | • • |
| 5 .3 | Scheibe Washer | A4 | • |
| 6 | Gewindestift Hex. Sock. Set screw | A4 | • |
| 7 | Welle, Antriebsseite Shaft, driven end | X 20 Cr 13 | • |
| 8 | Welle, Deckelseite Shaft, free end | X 20 Cr 13 | • |
| 9 | Nietstift Kegelstift mit Verschlusschraube Rivet pins Taper pins with hex. Socket pipe plugs | X 20 Cr 13 X 35 Cr Mo 17 5.8 | |
| 10 | Lagerflansch Bearing flange | GGG-50 | |
| 11 | Lagerdeckel Bearing cover | GGG-50 | |
| 12 | Lagerbuchse Bearing bush | G Cu Sn 10 | • |
| 13 | Distanzbuchse Spacer bush | X 6 Cr Ni Mo Ti 17 12 2 | |
| 14 | 6kt.-Schraube mikroverkapselt Hexagon bolt | A4 | • |
| 15 | Gewindestift Washer | A4 | |
| 16 | O-Ring O-ring | EPDM / NBR | • • |
| 17 | O-Ring O-ring | EPDM / NBR | • • |
| 18 | Schneckengetriebe kompl. Worm gear unit | | |
| 20 | Passfeder Parallel key | C 45 K | |
| 21 | O-Ring DN 150...400 O-ring | EPDM | • • |

1) Empfohlene Ersatzteile / Recommended spare parts

2) Verschleißteile / Parts subject to wear

Spare parts list

| Part | Description | piece | code number |
|---------------------------------------|--|----------|-----------------------|
| DN 1000 PN 6 | | | |
| | SET 1 Profile sealing ring / Retaining ring | 1 | 2-23-39276-300 |
| 3 | Profile sealing ring | 1 | |
| 4.1 | Retaining ring | 1 | |
| 5.1 | Hexagon bolt | 20 | |
| 5.3 | Washer | 20 | |
| 6 | Set screw | 20 | |
| | SET 2 Gaskets | 1 | 2-23-39276-301 |
| 3 | Profile sealing ring | 1 | |
| 16 | O-ring | 6 | |
| 17 | O-ring | 4 | |
| 7 | Shaft, driven end GS.3 | 1 | 1-23-37643-550 |
| 8 | Shaft, free end | 1 | 1-23-38264-550 |
| 12 | Bearing bush | 2 | 1-23-37642-250 |
| DN 1000 PN 10 | | | |
| | SET 1 Profile sealing ring / Retaining ring | 1 | 2-23-39276-300 |
| 3 | Profile sealing ring | 1 | |
| 4.1 | Retaining ring | 1 | |
| 5.1 | Hexagon bolt | 20 | |
| 5.3 | Washer | 20 | |
| 6 | Set screw | 20 | |
| | SET 2 Gaskets | 1 | 2-23-38003-301 |
| 3 | Profile sealing ring | 1 | |
| 16 | O-ring | 6 | |
| 17 | O-ring | 4 | |
| 7 | Shaft, driven end GS.3 | 1 | 1-23-38610-550 |
| 8 | Shaft, free end | 1 | 1-23-38584-550 |
| 12 | Bearing bush | 2 | 1-23-38585-250 |
| DN 1000 PN 16 | | | |
| | SET 1 Profile sealing ring / Retaining ring | 1 | 2-23-39276-300 |
| 3 | Profile sealing ring | 1 | |
| 4.1 | Retaining ring | 1 | |
| 5.1 | Hexagon bolt | 20 | |
| 5.3 | Washer | 20 | |
| 6 | Set screw | 20 | |
| | SET 2 Gaskets | 1 | 2-23-38004-301 |
| 3 | Profile sealing ring | 1 | |
| 16 | O-ring | 6 | |
| 17 | O-ring | 4 | |
| 7 | Shaft, driven end GS.3 | 1 | 1-23-38906-550 |
| 8 | Shaft, free end | 1 | 1-23-38907-550 |
| 12 | Bearing bush | 2 | 1-23-38908-250 |
| DN 1000 PN 25 bis Baujahr 2000 | | | |
| | SET 1 Profile sealing ring / Retaining ring | 1 | 2-23-38278-300 |
| 3 | Profile sealing ring | 1 | |
| 4.1 | Retaining ring | 1 | |
| 5.1 | Hexagon bolt | 16 | |
| 5.3 | Washer | 16 | |
| 6 | Set screw | 16 | |
| | SET 2 Gaskets | 1 | 2-23-38279-301 |
| 3 | Profile sealing ring | 1 | |
| 16 | O-ring | 6 | |
| 17 | O-ring | 4 | |
| 7 | Shaft, driven end GS.3 | 1 | 1-23-38991-550 |
| 8 | Shaft, free end | 1 | 1-23-38992-550 |
| 12 | Bearing bush | 2 | 1-23-38706-250 |



VAG-Armaturen GmbH
 Carl-Reuther-Straße 1
 D-68305 Mannheim
 P.O.B. 31 05 48
 D-68265 Mannheim
 Phone (0621) 749 - 0
 Fax (0621) 749 - 2153
 Internet: www.vag-armaturen.com

© by VAG-Armaturen GmbH