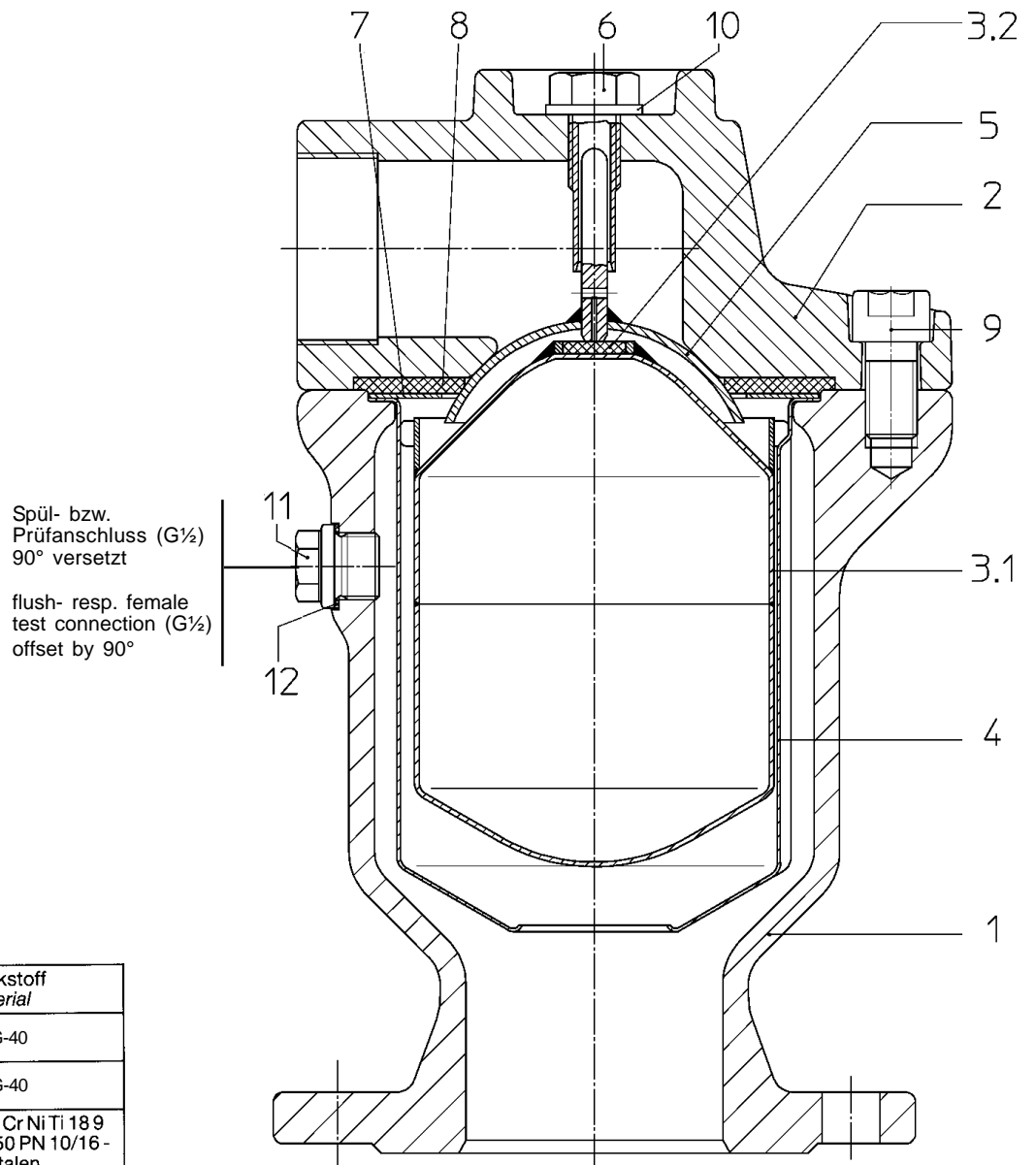


VAG DUOJET® 264

Automatic Air Valves

DN 50...200 PN 10 / 16 / 25



| Teil Part | Benennung Description | Werkstoff Material |
|--------------|---------------------------------------|--|
| 1 | Gehäuse Body | GGG-40 |
| 2 | Deckel Cover | GGG-40 |
| 3.1 | Schwimmer Float | X 10 Cr Ni Ti 18 9 DN 50 PN 10/16 - Hostalen |
| 3.2 | Dichtung Gasket | EPDM = APTK |
| 4 | Schale Shell body | X 10 Cr Ni Ti S 18 9 (W.-Nr. 1.4305) DIN 17440 |
| 5 | Absperrglocke Shut-off device | |
| 6 | Führungsschraube Lead screw | |
| 7 | Stützscheibe Disk | |
| 8 | Flachdichtung Gasket | EPDM = APTK |
| 9 | Zylinderschraube Cylindrical screw | nichtr. Stahl A 4 stainl. steel A 4 |
| 10 | Scheibe Washer | A 2-70 |
| 11 | Verschlussschraube Plug screw | nichtr. Stahl A 4 stainl. steel A 4 |
| 12 | Dichtring Gasket | Centellen |

Spare parts list

| Part | Description | piece | code number |
|------------------------------|-----------------------------|-------|----------------|
| DN 50 PN 10/16 | | | |
| | SET 1 Float | 1 | 2-14-23701-251 |
| 3.1 | Float | 1 | |
| 3.2 | Gasket | 1 | |
| 5 | SET 2 Shut-of device | 1 | 1-14-23629-005 |
| 7 | SET 3 Disk | 1 | 1-14-23653-005 |
| | SET 4 Gasket | 1 | 2-14-23701-156 |
| 3.2 | Gasket | 1 | |
| 8 | Gasket | 1 | |
| 12 | Gasket | 1 | |
| | SET 5 | 1 | 2-14-23701-157 |
| 3.1 | Float | 1 | |
| 3.2 | Gasket | 1 | |
| 5 | Shut-of device | 1 | |
| 7 | Disk | 1 | |
| 8 | Gasket | 1 | |
| 12 | Gasket | 1 | |
| 4 | SET 6 Shell body | 1 | 1-14-23628-005 |
| DN 50 / 80 PN 10/25 | | | |
| | SET 1 Float | 1 | 2-14-23701-281 |
| 3.1 | Float | 1 | |
| 3.2 | Gasket | 1 | |
| 5 | SET 2 Shut-of device | 1 | 1-14-23623-005 |
| 7 | SET 3 Disk | 1 | 1-14-23654-005 |
| | SET 4 Gasket | 1 | 2-14-23701-184 |
| 3.2 | Gasket | 1 | |
| 8 | Gasket | 1 | |
| 12 | Gasket | 1 | |
| | SET 5 | 1 | 2-14-23701-185 |
| 3.1 | Float | 1 | |
| 3.2 | Gasket | 1 | |
| 5 | Shut-of device | 1 | |
| 7 | Disk | 1 | |
| 8 | Gasket | 1 | |
| 12 | Gasket | 1 | |
| 4 | SET 6 Shell body | 1 | 1-14-23622-005 |
| DN 100 PN 10/25 | | | |
| | SET 1 Float | 1 | 2-14-23701-201 |
| 3.1 | Float | 1 | |
| 3.2 | Gasket | 1 | |
| 5 | SET 2 Shut-of device | 1 | 1-14-23635-005 |
| 7 | SET 3 Disk | 1 | 1-14-23655-005 |
| | SET 4 Gasket | 1 | 2-14-23701-204 |
| 3.2 | Gasket | 1 | |
| 8 | Gasket | 1 | |
| 12 | Gasket | 1 | |
| | SET 5 | 1 | 2-14-23701-205 |
| 3.1 | Float | 1 | |
| 3.2 | Gasket | 1 | |
| 5 | Shut-of device | 1 | |
| 7 | Disk | 1 | |
| 8 | Gasket | 1 | |
| 12 | Gasket | 1 | |
| 4 | SET 6 Shell body | 1 | 1-14-23634-005 |
| DN 150 / 200 PN 10/25 | | | |
| | SET 1 Float | 1 | 2-14-23701-251 |
| 3.1 | Float | 1 | |
| 3.2 | Gasket | 1 | |
| 5 | SET 2 Shut-of device | 1 | 1-14-23645-005 |
| 7 | SET 3 Disk | 1 | 1-14-23656-005 |
| | SET 4 Gasket | 1 | 2-14-23701-254 |
| 3.2 | Gasket | 1 | |
| 8 | Gasket | 1 | |
| 12 | Gasket | 1 | |
| | SET 5 | 1 | 2-14-23701-255 |
| 3.1 | Float | 1 | |
| 3.2 | Gasket | 1 | |
| 5 | Shut-of device | 1 | |
| 7 | Disk | 1 | |
| 8 | Gasket | 1 | |
| 12 | Gasket | 1 | |
| 4 | SET 6 Shell body | 1 | 1-14-23644-005 |



VAG-Armaturen GmbH
 Carl-Reuther-Straße 1
 D-68305 Mannheim
 P.O.B. 31 05 48
 D-68265 Mannheim
 Phone (0621) 749 - 0
 Fax (0621) 749 - 2153
 Internet: www.vag-armaturen.com

© by VAG-Armaturen GmbH