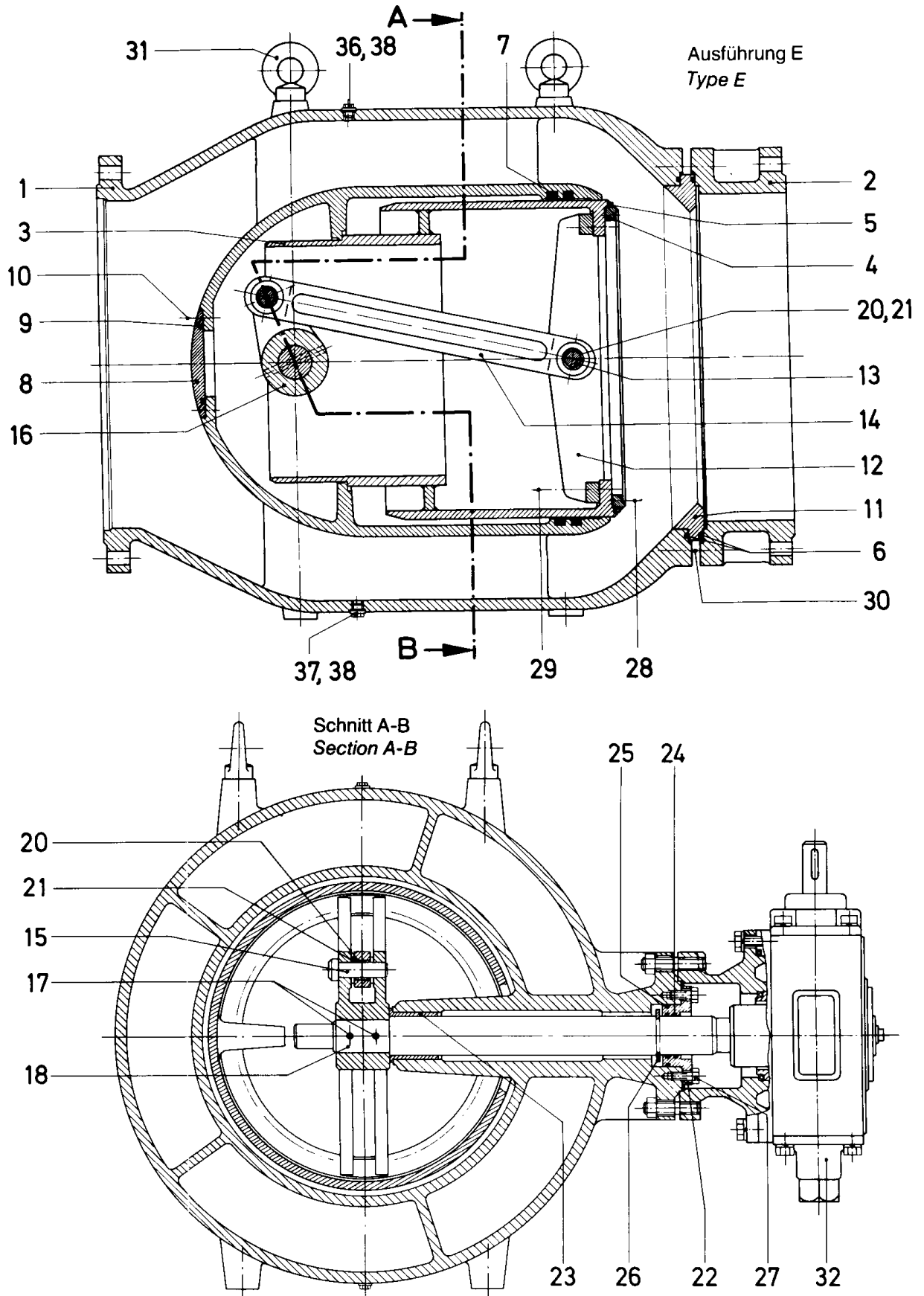
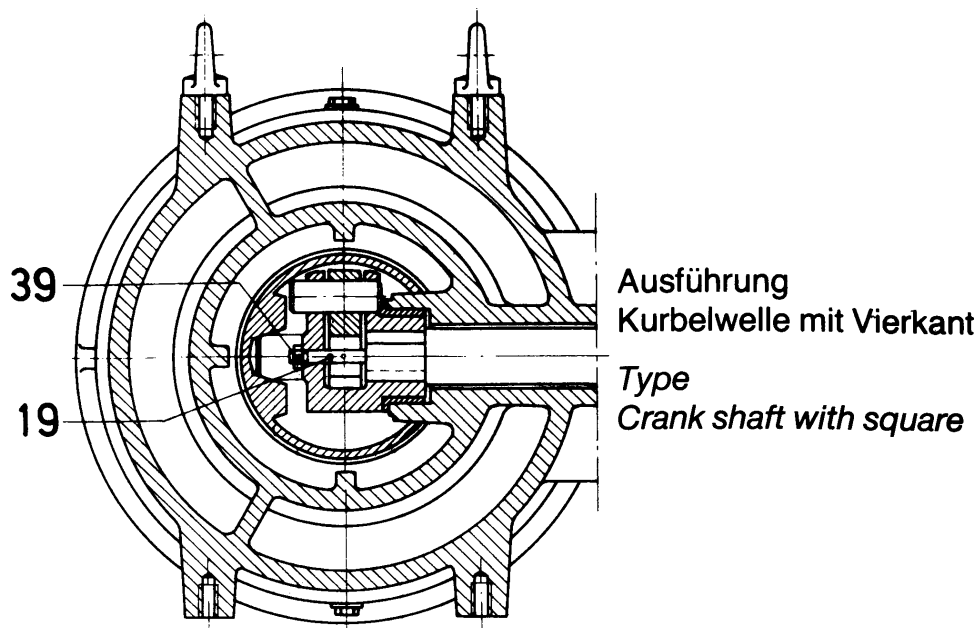
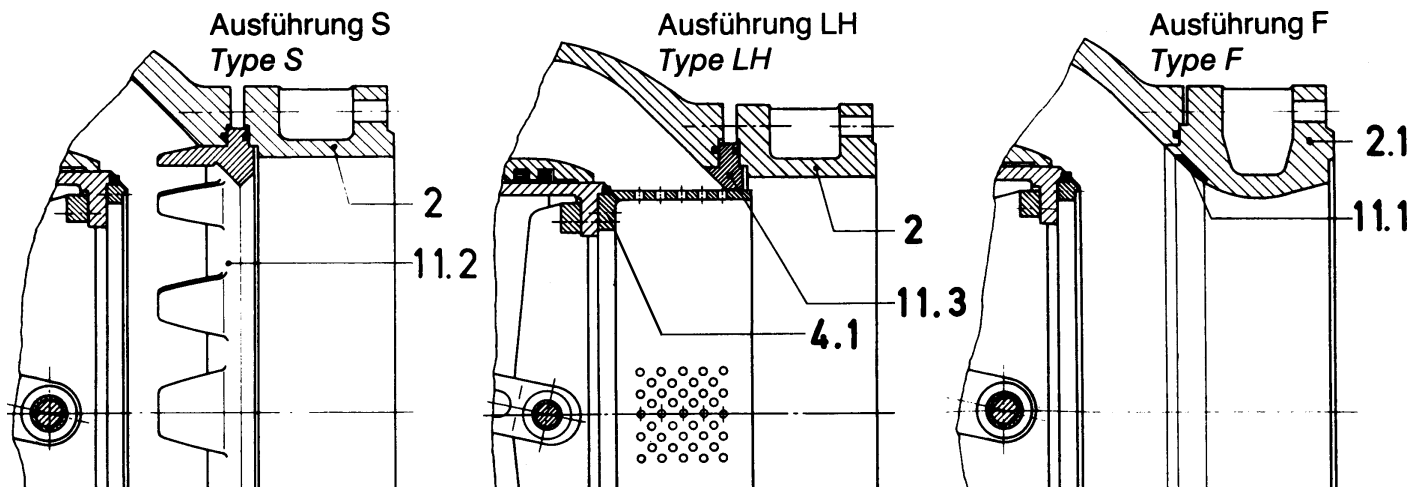


VAG RKV - Plunger Valve

PN 10 / 16 / 25 / 40





Teil Part	Benennung / Description	
1	Gehäuse	Body
2	Auslaufrohr	Outlet piece
2.1	Kurzdifusor	Short diffusor
3	Abschlußbuchse	Plunger
4	Haltering	Retaining ring
4.1	Haltering m. Lochzylinder	Ret. ring with mult. orif. cylinder
5	Profildichtring	Profile seal ring
6	Rundschnurring	Round seal ring
7	Nutring	Groove ring
8	Kappe	Cap
9	O-Ring	O-ring
10	Zylinderschraube	Cylindr. screw
11	Sitzring	Seat ring
11.1	Sitzpanzerung	Seat welt deposit
11.2	Schlitzhülse	Slotted sleeve
11.3	Sitzring f. Lochzyl.	Seat ring for multiple orifice cylinder
12	Pleuellager	Connecting rod bearing
13	Pleuellagerbolzen	Bearing pin
14	Pleuelstange	Connecting rod
15	Kurbelbolzen	Crank pin
16	Kurbel	Crank
17	Kegelstift	Tapered pin
18	Kurbelwelle	Crank shaft
19	Stiftschraube	Tap bolt
20	Pleuelbuchse	Connecting rod bushing
21	Scheibe	Disk
22	Lagerflansch	Bearing flange
23	Lagerbuchse	Shaft bearing bush
24	O-Ring	O-ring
25	O-Ring	O-ring
26	Sicherungsring	Guard ring
27	Sechskantschraube	Hexagon screw
28	Zylinderschraube zu Teil 4	Cylindr. screw to part 4
29	Zylinderschraube mit Sicherungsscheibe zu Teil 12	Cylindr. screw with guard disk to part 12
30	Stiftschraube mit 6 kt-Mutter	Stud bolt with hexag nut
31	Ringschraube	Eye bolt
32	Schneckengetriebe kompl.	Worm gear unit
36	Entlüftungs-Verschlußschraube	Vent plug
37	Entleerungs-Verschlußschraube	Drain plug
38	Dichtring	Seal ring
39	Sechskantmutter und Sicherungsblech	Hexagonal nut and locking plate

Spare parts list

Part	Description	piece	code number
DN 150 / 200			
	SET 1 Gasket / PN 10 / 16 / 25 / 40	1	2-20-38418-000
5	Profile seal ring	1	
6	Round seal ring	2	
7	Groove ring	2	
24	O-ring	2	
25	O-ring	1	
38	Seal ring	2	
4	Retaining ring, Design E	1	1-20-30711-050
28	Hexagon socket head cap screw	8	1-75-33017-759
29	Hexagon socket head cap screw , with	4	1-75-33017-770
29	Guard disk	4	1-75-33092-043
DN 250			
	SET 1 Gasket / PN 10 / 16 / 25	1	2-20-38418-001
	SET 1 Gasket / PN 40	1	2-20-38418-020
5	Profile seal ring	1	
6	Round seal ring	2	
7	Groove ring	2	
24	O-ring	2	
25	O-ring	1	
38	Seal ring	2	
4	Retaining ring, Design E / S / F / L	1	1-20-31185-050
28	Hexagon socket head cap screw	8	1-75-33017-762
29	Hexagon socket head cap screw , with	4	1-75-33017-779
29	Guard disk	4	1-75-33092-044
DN 300			
	SET 1 Gasket / PN 10 / 16	1	2-20-38418-002
	SET 1 Gasket / PN 25	1	2-20-38418-021
	SET 1 Gasket / PN 40	1	2-20-38418-022
5	Profile seal ring	1	
6	Round seal ring	2	
7	Groove ring	2	
24	O-ring	2	
25	O-ring	1	
38	Seal ring	2	
4	Retaining ring, Design E / S / F / L	1	1-20-30604-050
28	Hexagon socket head cap screw	12	1-75-33017-767
29	Hexagon socket head cap screw , with	4	1-75-33017-780
29	Guard disk	4	1-75-33092-045
DN 350			
	SET 1 Gasket / PN 10 / 16	1	2-20-38418-003
	SET 1 Gasket / PN 25	1	2-20-38418-023
5	Profile seal ring	1	
6	Round seal ring	2	
7	Groove ring	2	
24	O-ring	2	
25	O-ring	1	
38	Seal ring	2	
4	Retaining ring, Design E / S / F / L	1	1-20-32386-050
28	Hexagon socket head cap screw	12	1-75-33017-773
29	Hexagon socket head cap screw , with	4	1-75-33017-778
29	Guard disk	4	1-75-33092-045
DN 400			
	SET 1 Gasket / PN 10 / 16 / 25	1	2-20-38418-004
	SET 1 Gasket / PN 40	1	2-20-38418-025
5	Profile seal ring	1	
6	Round seal ring	2	
7	Groove ring	2	
24	O-ring	2	
25	O-ring	1	
38	Seal ring	2	
4	Retaining ring, Design E / S / F / L	1	1-20-31495-050
28	Hexagon socket head cap screw	12	1-75-33017-763
29	Hexagon socket head cap screw , with	4	1-75-33017-657
29	Guard disk	4	1-75-33092-046
DN 450			
	SET 1 Gasket / PN 10 / 16	1	2-20-38418-024
5	Profile seal ring	1	
6	Round seal ring	1	
7	Groove ring	2	
24	O-ring	2	
25	O-ring	1	
38	Seal ring	2	
4	Retaining ring, Design E / S / F / L	1	1-20-31306-050
9	O-ring	1	1-75-33276-095
28	Hexagon socket head cap screw	16	1-75-33017-785
29	Hexagon socket head cap screw , with	4	1-75-33017-657
29	Guard disk	4	1-75-33092-046
DN 500			
	SET 1 Gasket / PN 10 / 16 / 25	1	2-20-38418-005
5	Profile seal ring	1	
6	Round seal ring	1	
7	Groove ring	2	
24	O-ring	2	
25	O-ring	1	
38	Seal ring	2	
4	Retaining ring, Design E / S / F / L	1	1-20-32262-050
9	O-ring	1	1-75-33276-095
28	Hexagon socket head cap screw	16	1-75-33017-785
29	Hexagon socket head cap screw , with	4	1-75-33017-657
29	Guard disk	4	1-75-33092-046

Spare parts list

Part	Description	piece	code number
DN 600			
	SET 1 Gasket / PN 10 / 16 / 25	1	2-20-38418-006
5	Profile seal ring	1	
6	Round seal ring	2	
7	Groove ring	2	
24	O-ring	2	
25	O-ring	1	
38	Seal ring	2	
4	Retaining ring, Design E / S / F / L	1	1-20-30682-050
9	O-ring	1	1-75-33277-095
28	Hexagon socket head cap screw	16	1-75-33017-785
29	Hexagon socket head cap screw , with	4	1-75-33017-790
29	Guard disk	4	1-75-33092-046
DN 700			
	SET 1 Gasket / PN 10 / 16	1	2-20-38418-007
	SET 1 Gasket / PN 25	1	2-20-38418-026
5	Profile seal ring	1	
6	Round seal ring	2	
7	Groove ring	2	
24	O-ring	2	
25	O-ring	1	
38	Seal ring	2	
4	Retaining ring, Design E / S / F	1	1-20-32244-150
9	O-ring	1	1-75-33277-095
28	Hexagon socket head cap screw	16	1-75-33017-785
29	Hexagon socket head cap screw , with	4	1-75-33017-793
29	Guard disk	4	1-75-33092-047
DN 800			
	SET 1 Gasket / PN 10	1	2-20-38418-008
	SET 1 Gasket / PN 16	1	2-20-38418-012
	SET 1 Gasket / PN 25	1	2-20-38418-018
5	Profile seal ring	1	
6	Round seal ring	2	
7	Groove ring	2	
24	O-ring	2	
25	O-ring	1	
38	Seal ring	2	
4	Retaining ring, Design E / S / F / L	1	1-20-31661-150
9	O-ring	1	1-75-33277-095
28	Hexagon socket head cap screw	20	1-75-33017-785
29	Hexagon socket head cap screw , with	4	1-75-33017-793
29	Guard disk	4	1-75-33092-047
DN 900			
	SET 1 Gasket / PN 10	1	2-20-38418-019
	SET 1 Gasket / PN 16	1	2-20-38418-027
5	Profile seal ring	1	
6	Round seal ring	2	
7	Groove ring	2	
24	O-ring	2	
25	O-ring	1	
38	Seal ring	2	
4	Retaining ring, Design E / S / F / L	1	1-20-31688-150
9	O-ring	1	1-75-33276-054
28	Hexagon socket head cap screw	20	1-75-33017-777
29	Hexagon socket head cap screw , with	4	1-75-33017-794
29	Guard disk	4	1-75-33092-048
DN 1000			
	SET 1 Gasket / PN 10 / 16	1	2-20-38418-009
5	Profile seal ring	1	
6	Round seal ring	2	
7	Groove ring	2	
24	O-ring	2	
25	O-ring	1	
38	Seal ring	2	
4	Retaining ring, Design E / S / F / L	1	1-20-32197-150
9	O-ring	1	1-20-33276-054
28	Hexagon socket head cap screw	24	1-75-33017-777
29	Hexagon socket head cap screw , with	4	1-75-33017-794
29	Guard disk	4	1-75-33092-048
DN 1200			
	SET 1 Gasket / PN 10 / 16	1	2-20-38418-010
5	Profile seal ring	1	
6	Round seal ring	2	
7	Groove ring	2	
24	O-ring	2	
25	O-ring	1	
38	Seal ring	2	
4	Retaining ring, Design E / S / F / L	1	1-20-30636-152
9	O-ring	1	1-20-33276-054
28	Hexagon socket head cap screw	28	1-75-33017-777
29	Hexagon socket head cap screw , with	4	1-75-33017-795
29	Guard disk	4	1-75-33092-049



VAG-Armaturen GmbH
 Carl-Reuther-Straße 1
 D-68305 Mannheim
 P.O.B. 31 05 48
 D-68265 Mannheim
 Phone (0621) 749 - 0
 Fax (0621) 749 - 2153
 Internet: www.vag-armaturen.com

© by VAG-Armaturen GmbH