



PN 10
DN 40...300

Product Features

- Angle type level control valve for water tanks
- Float operated
- Soft sealing
- Low actuating force due to balanced valve piston
- Long piston guide avoids jamming
- Slam-free closing
- Closes when water level rises
- Final Inspection Test to EN 12266 (DIN 3230 part 4)

Materials

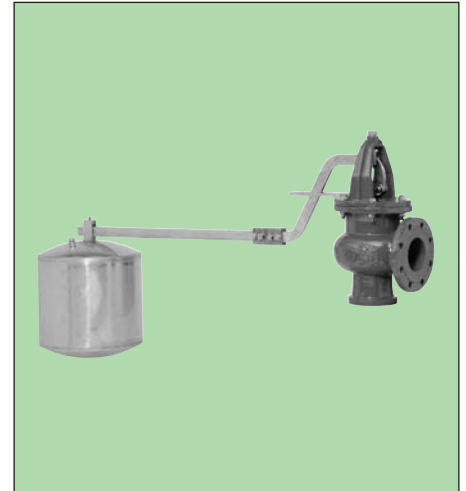
- Body, bonnet and piston of ductile cast iron EN - JS 1030 (GGG-40)
- Piston chromium plated
- Float incl. attachment of austenitic stainless steel
- Float lever and coupling of stainless steel

Corrosion Protection

- Inside and outside epoxy coated

Field of Application

- Max. operating temperature: 50°C
- For level control in water tanks



For information about installation, commissioning, operating and maintenance we kindly refer to our **"Installation and Operating Instructions - Valves"**.

Field of Use

Final Inspection Test in acc. with EN 12266

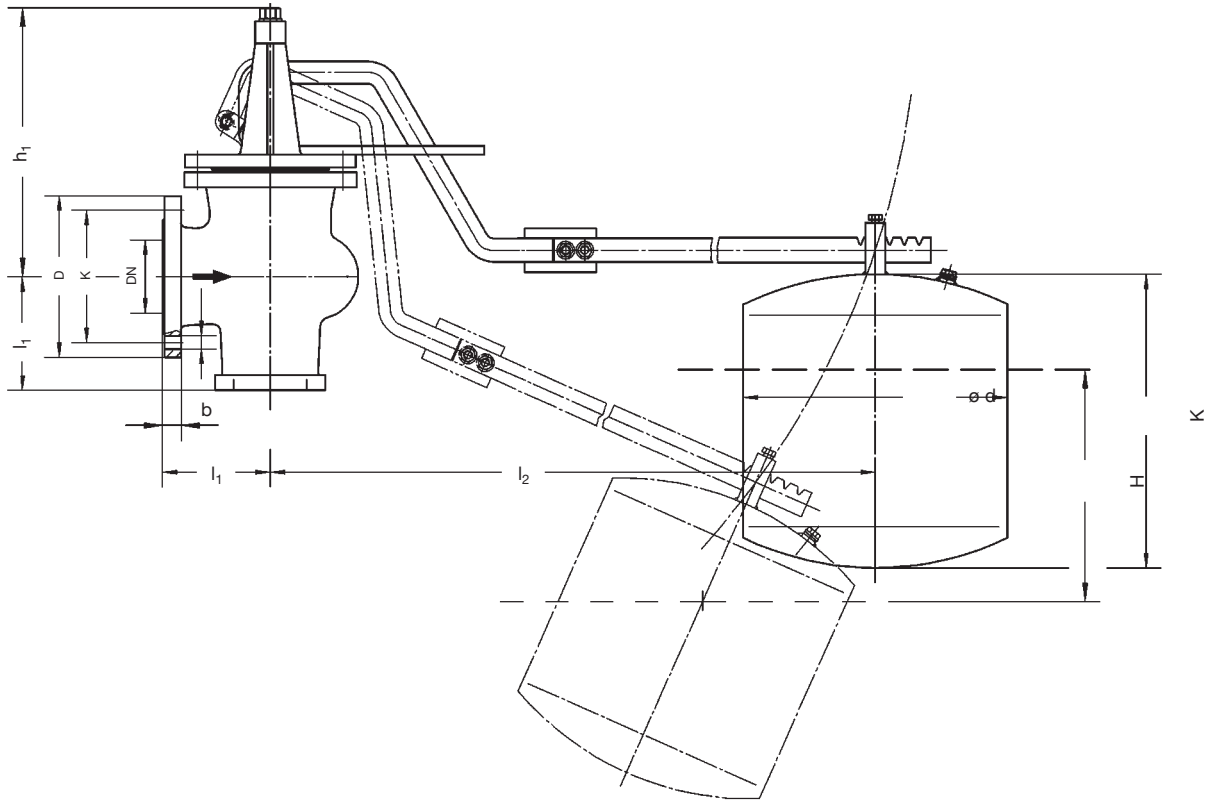
DN mm	PN bar	Max. operating pressure bar	Max. operating temperature for neutral liquids °C	Test pressure in bar	
				with water in body	with water in seat
40 . . . 500	16	16	50	24	18
200 . . . 500	10	10	50	15	11

For performance data, see KAT 2012-U

We reserve the right to make technical changes and use similar or higher-quality materials. Drawings are non-binding



Dimensions / weights



Dimensions in mm		40	50	65	80	100	125	150	200	250	300	400	500	
DN	l_1	90	100	120	130	150	175	200	250	300	350	450	550	
	h_1	250	270	290	300	360	400	450	620	690	750	900	1080	
	l_2	510	620	800	900	1100	1200	1250	1300	1560	1750	2270	2500	
	k	300	300	300	300	400	400	487	487	480	480	580	580	
	d	275	275	320	320	360	360	450	450	524	524	600	600	
Flange dimensions to EN1092-2	PN 10	D	-	-	-	-	-	-	340	395	445	565	670	
		k	-	-	-	-	-	-	295	350	400	515	620	
		No. of holes	-	-	-	-	-	-	-	8	12	12	16	20
		d_2	-	-	-	-	-	-	-	22	22	22	26	26
	PN 16	D	150	165	185	200	220	250	285	340	405	460	580	715
		k	110	125	145	160	180	210	240	295	355	410	525	650
		No. of holes	4	4	4	8	8	8	8	12	12	12	16	20
		d_2	18	18	18	18	18	18	22	22	26	26	30	30
	PN 10/16	b	19	19	19	19	19	19	19	20	22	24,5	24,5	26,5
	Stroke	H	175	225	260	330	435	450	485	515	550	740	870	1100
	Weight	kg	17	20	30	35	55	72	95	195	280	370	690	1020

We reserve the right to make technical changes and use similar or higher-quality materials. Drawings are non-binding