

Operating Set 1: stem square cap

- T-key operation for
 - VAG ERI® Sluice Gate Valve
 - VAG EROX® Sluice Gate Valve

Operating Set 1 includes:

- Stem square cap of GG 25, hot-galvanised 27 mm (1.06")

Installation depth

EROX			
DN	Tmin	e2	h3
150	697	47	70
200	797	47	70
250	897	47	70
300	997	47	70
400	1187	47	100
500	1387	47	100
600	1607	47	100
700	1900	72	100
800	2100	72	100
900	2319	72	100
1000	2519	72	100
1200	2922	72	100

ERI			
Size	Tmin	e2	h3
150x150	685	54	80
200x200	785	54	80
250x250	885	54	80
300x300	985	54	80
400x400	1185	54	80
500x500	1385	54	80
600x600	1605	54	80
700x700	1825	54	80
800x800	1805	54	80
900x900	2005	60	80
1000x1000	2456	60	80
1200x1200	2856	60	80

Operating Set 2: telescopic stem extension, adjustable wall bearing, stem square cap, pin

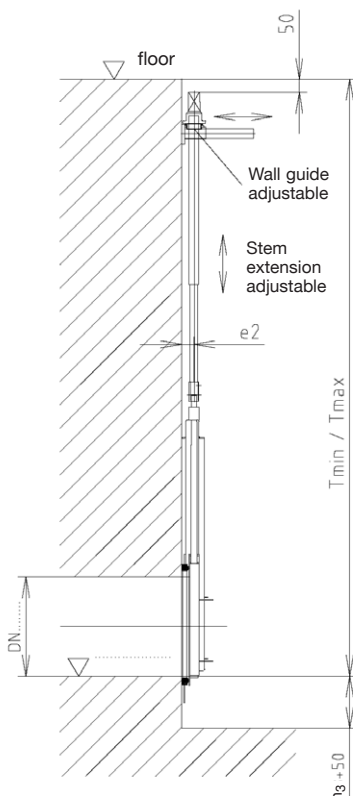
T-key operation for

- VAG ERI® Sluice Gate Valve
- VAG EROX® Sluice Gate Valve

Operating Set 2 includes:

- Stem extension made of stainless steel 1.4301 or 1.4571, telescopic, adjustable on site
- Adjustable wall bearing 30 - 200 mm (1.18" - 7.87")
- Wall guiding with anchor bolts made of 1.4301 or 1.4571, adjustable in any position from 30 - 200 mm (1.18" - 7.87")
- Square cap of GG 25, hot-galvanised 27 mm (1.06")
- All necessary fasteners made of stainless steel 1.4571

Installation depth



EROX	up to 3m		from 3-6m		e2	h3
	DN	Tmin	Tmax	Tmin		
150	1000	3000	3000	6000	47	70
200	1100	3100	3100	6100	47	70
250	1200	3200	3200	6200	47	70
300	1300	3300	3300	6300	47	70
400	1500	3500	3500	6500	47	100
500	1700	3700	3700	6700	47	100
600	1900	3900	3900	6900	47	100
700	2200	3000	3000	6000	72	100
800	2400	3200	3200	6200	72	100
900	2600	3400	3400	6400	72	100
1000	2800	3600	3600	6600	72	100
1200	3200	4000	4000	7000	72	100

ERI	up to 3m		from 3-6m		e2	h3
	Size	Tmin	Tmax	Tmin		
150x150	1000	2900	2900	5900	54	80
200x200	1100	3000	3000	6000	54	80
250x250	1200	3100	3100	6100	54	80
300x300	1300	3200	3200	6200	54	80
400x400	1500	3400	3400	6400	54	80
500x500	1700	3600	3600	6600	54	80
600x600	1900	3800	3800	6800	54	80
700x700	2200	4100	4100	7100	54	80
800x800	2300	4200	4200	7200	54	80
900x900	2500	4400	4400	7400	60	80
1000x1000	2700	3400	3400	6400	60	80
1200x1200	3100	3800	3800	6800	60	80

We reserve the right to make technical changes and use similar or higher-quality materials. Drawings are non-binding

Operating Set 3: telescopic stem extension, street cover with stem bearing, square cap, pin

T-key operation for

- VAG ERI® Sluice Gate Valve
- VAG EROX® Sluice Gate Valve

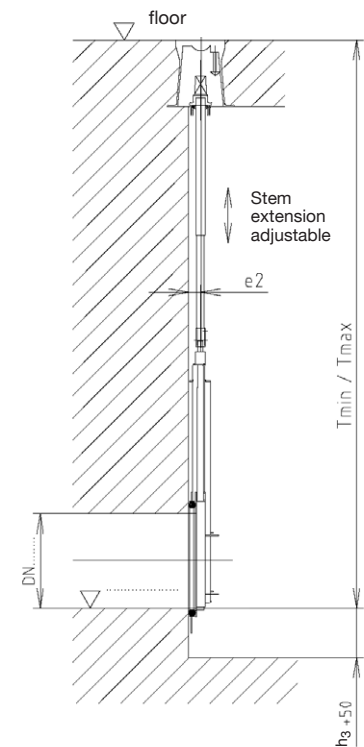
Operating Set 3 includes:

- Stem extension made of stainless steel 1.4301 or 1.4571
 - telescopic and adjustable on site
 - guide way through street cap, with anchor bolts
- Made of 1.4301 or 1.4571, cover hole from 100 mm - max. 250 mm (3.9" - max. 9.84")
 - Square cap of GG 25, hot-galvanised 27 mm (1.06")
 - All necessary fasteners made of stainless steel 1.4571

Installation depth

EROX		up to 3m		from 3-6m			
DN	T _{min}	T _{max}	T _{min}	T _{min}	e2	h3	
150	1000	3000	3000	6000	47	70	
200	1100	3100	3100	6100	47	70	
250	1200	3200	3200	6200	47	70	
300	1300	3300	3300	6300	47	70	
400	1500	3500	3500	6500	47	100	
500	1700	3700	3700	6700	47	100	
600	1900	3900	3900	6900	47	100	
700	2200	3000	3000	6000	72	100	
800	2400	3200	3200	6200	72	100	
900	2600	3400	3400	6400	72	100	
1000	2800	3600	3600	6600	72	100	
1200	3200	4000	4000	7000	72	100	

ERI		up to 3m		from 3-6m			
Size	T _{min}	T _{max}	T _{min}	T _{min}	e2	h3	
150x150	1000	2900	2900	5900	54	80	
200x200	1100	3000	3000	6000	54	80	
250x250	1200	3100	3100	6100	54	80	
300x300	1300	3200	3200	6200	54	80	
400x400	1500	3400	3400	6400	54	80	
500x500	1700	3600	3600	6600	54	80	
600x600	1900	3800	3800	6800	54	80	
700x700	2200	4100	4100	7100	54	80	
800x800	2300	4200	4200	7200	54	80	
900x900	2500	4400	4400	7400	60	80	
1000x1000	2700	3400	3400	6400	60	80	
1200x1200	3100	3800	3800	6800	60	80	



Operating Set 4: telescopic stem extension, bracket head stock, handwheel, pin

Handwheel operation for

- VAG ERI® Sluice Gate Valve
- VAG EROX® Sluice Gate Valve

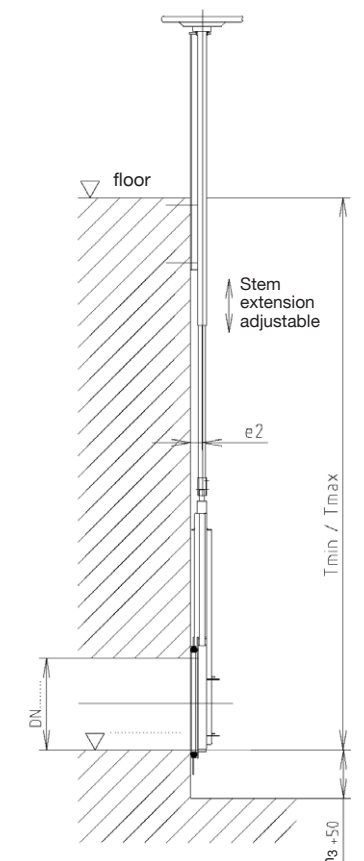
Operating Set 4 includes:

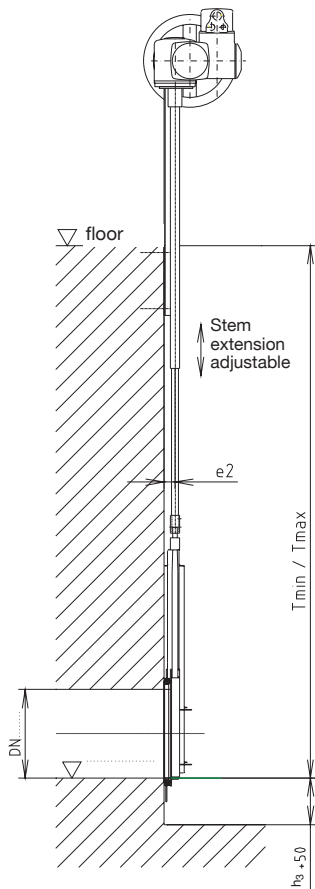
- Stem extension made of stainless steel 1.4301 or 1.4571, telescopic and adjustable on site
- Bracket head stock for manual operating, with anchor bolts for the pit wall, with shoulder, 50 mm (1.96") or 72 mm (2.83"), made of 1.4301 or 1.4571, incl. handwheel, operating high approx. 800 mm (31.5")
- All necessary fasteners made of stainless steel 1.4571

Installation depth

EROX		up to 3m		from 3-6m			
DN	T _{min}	T _{max}	T _{min}	T _{min}	e2	h3	
150	1000	3000	3000	6000	47	70	
200	1100	3100	3100	6100	47	70	
250	1200	3200	3200	6200	47	70	
300	1300	3300	3300	6300	47	70	
400	1500	3500	3500	6500	47	100	
500	1700	3700	3700	6700	47	100	
600	1900	3900	3900	6900	47	100	
700	2200	3000	3000	6000	72	100	
800	2400	3200	3200	6200	72	100	
900	2600	3400	3400	6400	72	100	
1000	2800	3600	3600	6600	72	100	
1200	3200	4000	4000	7000	72	100	

ERI		up to 3m		from 3-6m			
Size	T _{min}	T _{max}	T _{min}	T _{min}	e2	h3	
150x150	1000	2900	2900	5900	54	80	
200x200	1100	3000	3000	6000	54	80	
250x250	1200	3100	3100	6100	54	80	
300x300	1300	3200	3200	6200	54	80	
400x400	1500	3400	3400	6400	54	80	
500x500	1700	3600	3600	6600	54	80	
600x600	1900	3800	3800	6800	54	80	
700x700	2200	4100	4100	7100	54	80	
800x800	2300	4200	4200	7200	54	80	
900x900	2500	4400	4400	7400	60	80	
1000x1000	2700	3400	3400	6400	60	80	
1200x1200	3100	3800	3800	6800	60	80	





Operating Set 5: telescopic stem extension, coupling sleeve bracket head stock, pin

Operation with electric actuator for

- VAG ERI® Sluice Gate Valve
- VAG EROX® Sluice Gate Valve

Operating Set 5 includes:

- Coupling sleeve of stainless steel 1.4301 or 1.4571
- Stem extension of stainless steel 1.4301 or 1.4571 telescopic and adjustable on site
- Bracket head stock for electric actuator, with anchor bolts for the pit wall, with shoulder, 50 mm (1.96") or 72 mm (2.83") of 1.4301 or 1.4571. Fits for installation of electric actuators or gear boxes with flanges F60 or 6 1/2, drive form D. Operating height approx. 800 mm (31.5").
- All necessary fasteners of stainless steel 1.4571.

Installation depth

EROX	drive	up to 3m		from 3-6m		T _{EA}	e2	h _s
		T _{min}	T _{max}	T _{min}	T _{min}			
150	07.5	1000	3000	3000	6000	975	47	70
200	07.5	1100	3100	3100	6100	975	47	70
250	07.5	1200	3200	3200	6200	975	47	70
300	07.5	1300	3300	3300	6300	975	47	70
400	07.5	1500	3500	3500	6500	975	47	100
500	07.5	1700	3700	3700	6700	975	47	100
600	07.5	1900	3900	3900	6900	975	47	100
700	10.1	2200	3000	3000	6000	975	72	100
800	10.1	2400	3200	3200	6200	975	72	100
900	10.1	2600	3400	3400	6400	975	72	100
1000	10.1	2800	3600	3600	6600	1035	72	100
1200	14.1	3200	4000	4000	7000	1035	72	100

ERI	drive	up to 3m		from 3-6m		T _{EA}	e2	h _s
		T _{min}	T _{max}	T _{min}	T _{min}			
150x150	07.5	1000	2900	2900	5900	975	54	80
200x200	07.5	1100	3000	3000	6000	975	54	80
250x250	07.5	1200	3100	3100	6100	975	54	80
300x300	07.5	1300	3200	3200	6200	975	54	80
400x400	07.5	1500	3400	3400	6400	975	54	80
500x500	07.5	1700	3600	3600	6600	975	54	80
600x600	07.5	1900	3800	3800	6800	975	54	80
700x700	07.5	2200	4100	4100	7100	975	54	80
800x800	07.5	2300	4200	4200	7200	975	54	80
900x900	10.1	2500	4400	4400	7400	975	60	80
1000x1000	10.1	2700	3400	3400	6400	1035	60	80
1200x1200	14.1	3100	3800	3800	6800	1035	60	80

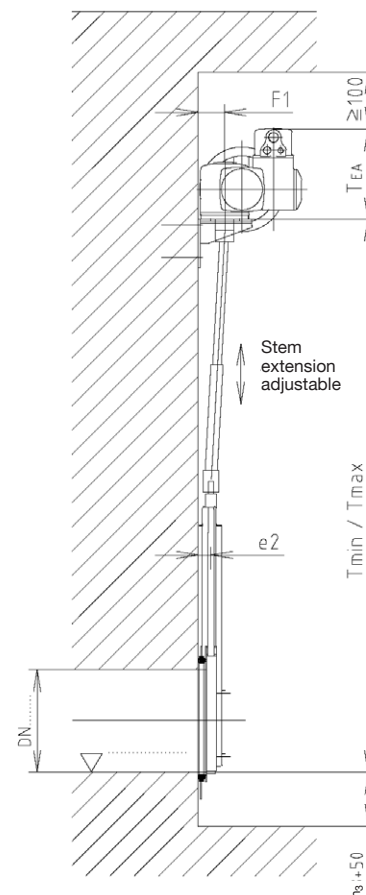
Operating Set 6: telescopic stem extension, wall bracket, coupling sleeve, pin

Operation with electric actuator for

- VAG ERI® Sluice Gate Valve
- VAG EROX® Sluice Gate Valve

Operating Set 6 includes:

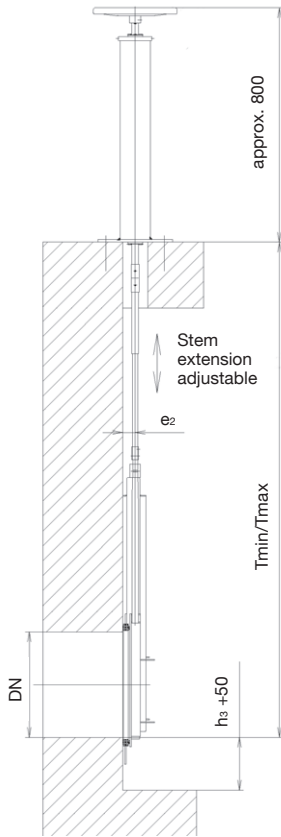
- Coupling sleeve of stainless steel 1.4301 or 1.4571
- Stem extension of stainless steel 1.4301 or 1.4571, telescopic and adjustable, on site
- Wall bracket for electric actuator, with anchor bolts for the pit wall, with shoulder, 50 mm (1.96") or 72 mm (2.83") made of 1.4301 or 1.4571. Fits for installation of electric actuators or gear boxes with flanges F 10 or F 14, form D.
- All necessary fasteners of stainless steel 1.4571



Installation depth

EROX	drive	up to 3m		from 3–6m					
		DN	SA ..	T _{min}	T _{max}	T _{min}	T _{min}	T _{EA}	F ₁
150	07.5	2100	3000	3000	6000	275	90	47	70
200	07.5	2200	3100	3100	6100	275	90	47	70
250	07.5	2300	3200	3200	6200	275	90	47	70
300	07.5	2400	3300	3300	6300	275	90	47	70
400	07.5	2600	3500	3500	6500	275	90	47	100
500	07.5	2800	3700	3700	6700	275	90	47	100
600	07.5	3000	3900	3900	6900	275	90	47	100
700	10.1	not applicable		3300	6000	275	90	72	100
800	10.1			3600	6200	275	90	72	100
900	10.1			3800	6400	275	90	72	100
1000	10.1			4000	6600	335	160	72	100
1200	14.1			4400	7000	335	160	72	100

ERI	drive	up to 3m		from 3–6m					
		Size	SA ..	T _{min}	T _{max}	T _{min}	T _{min}	T _{EA}	F ₁
150x150	0.75	2000	2900	2900	5900	275	90	54	80
200x200	07.5	2100	3000	3000	6000	275	90	54	80
250x250	0.75	2200	3100	3100	6100	275	90	54	80
300x300	07.5	2300	3200	3200	6200	275	90	54	80
400x400	07.5	2500	3400	3400	6400	275	90	54	80
500x500	07.5	2700	3600	3600	6600	275	90	54	80
600x600	07.5	2900	3800	3800	6800	275	90	54	80
700x700	07.5	3100	4000	4000	7000	275	90	54	80
800x800	07.5	3300	4200	4200	7200	275	90	54	80
900x900	10.1	3500	4400	4400	7400	275	90	60	80
1000x1000	10.1	not applicable		3800	6400	335	160	60	80
1200x1200	14.1			4200	6800	335	160	60	80



Actuator unit 7: telescopic stem extension, headstock, handwheel, anchor bolts

- Operation with handwheel for
- VAG ERI® Sluice Gate Valve
 - VAG EROX® Sluice Gate Valve

Actuator unit 7 includes:

- Stem extension of stainless steel 1.4301 or 1.4571, telescopic and adjustable on site
- Headstock for manual operating of 1.4301 or 1.4571, including handwheel, operating height: ca. 800 mm
- All necessary fasteners of stainless steel 1.4571

Installation depth

EROX	up to 3m		from 3-6m		e2	h3
	Tmin	Tmax	Tmin	Tmin		
150	1000	3000	3000	6000	47	70
200	1100	3100	3100	6100	47	70
250	1200	3200	3200	6200	47	70
300	1300	3300	3300	6300	47	70
400	1500	3500	3500	6500	47	100
500	1700	3700	3700	6700	47	100
600	1900	3900	3900	6900	47	100
700	2200	3000	3000	6000	72	100
800	2400	3200	3200	6200	72	100
900	2600	3400	3400	6400	72	100
1000	2800	3600	3600	6600	72	100
1200	3200	4000	4000	7000	72	100

ERI	up to 3m		from 3-6m		e2	h3
	Tmin	Tmax	Tmin	Tmin		
150x150	1000	2900	2900	5900	54	80
200x200	1100	3000	3000	6000	54	80
250x250	1200	3100	3100	6100	54	80
300x300	1300	3200	3200	6200	54	80
400x400	1500	3400	3400	6400	54	80
500x500	1700	3600	3600	6600	54	80
600x600	1900	3800	3800	6800	54	80
700x700	2200	4100	4100	7100	54	80
800x800	2300	4200	4200	7200	54	80
900x900	2500	4400	4400	7400	60	80
1000x1000	2700	3400	3400	6400	60	80
1200x1200	3100	3800	3800	6800	60	80

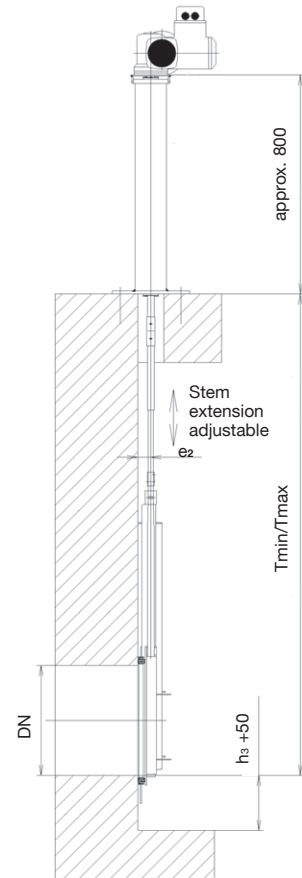
Actuator unit 8: telescopic stem extension, headstock, anchor bolts, coupling sleeve

Operation with electric actuator for

- VAG ERI® Sluice Gate Valve
- VAG EROX® Sluice Gate Valve

Actuator unit 8 includes:

- Coupling sleeve of stainless steel 1.4301 or 1.4571
- Stem extension of stainless steel 1.4301 or 1.4571, telescopic and adjustable on site
- Headstock for electric actuator of 1.4301 or 1.4571. Fits for installation of electric actuators or gear boxes with flanges F60 or 6 1/2, drive form D. operating height: ca. 800 mm
- All necessary fasteners of stainless steel 1.4571.



Installation depth

EROX DN	drive SA ..	up to 3m		from 3–6m		e2	h3
		Tmin	Tmax	Tmin	Tmax		
150	07.5	2100	3000	3000	6000	47	70
200	07.5	2200	3100	3100	6100	47	70
250	07.5	2300	3200	3200	6200	47	70
300	07.5	2400	3300	3300	6300	47	70
400	07.5	2600	3500	3500	6500	47	100
500	07.5	2800	3700	3700	6700	47	100
600	07.5	3000	3900	3900	6900	47	100
700	10.1	not applicable		3300	6000	72	100
800	10.1			3600	6200	72	100
900	10.1			3800	6400	72	100
1000	10.1			4000	6600	72	100
1200	14.1			4400	7000	72	100

ERI Size	drive SA ..	up to 3m		from 3–6m		e2	h3
		Tmin	Tmax	Tmin	Tmax		
150x150	07.5	2000	2900	2900	5900	54	80
200x200	07.5	2100	3000	3000	6000	54	80
250x250	07.5	2200	3100	3100	6100	54	80
300x300	07.5	2300	3200	3200	6200	54	80
400x400	07.5	2500	3400	3400	6400	54	80
500x500	07.5	2700	3600	3600	6600	54	80
600x600	07.5	2900	3800	3800	6800	54	80
700x700	07.5	3100	4000	4000	7000	54	80
800x800	07.5	3300	4200	4200	7200	54	80
900x900	10.1	3500	4400	4400	7400	60	80
1000x1000	10.1	not applicable		3800	6400	60	80
1200x1200	14.1			4200	6800	60	80