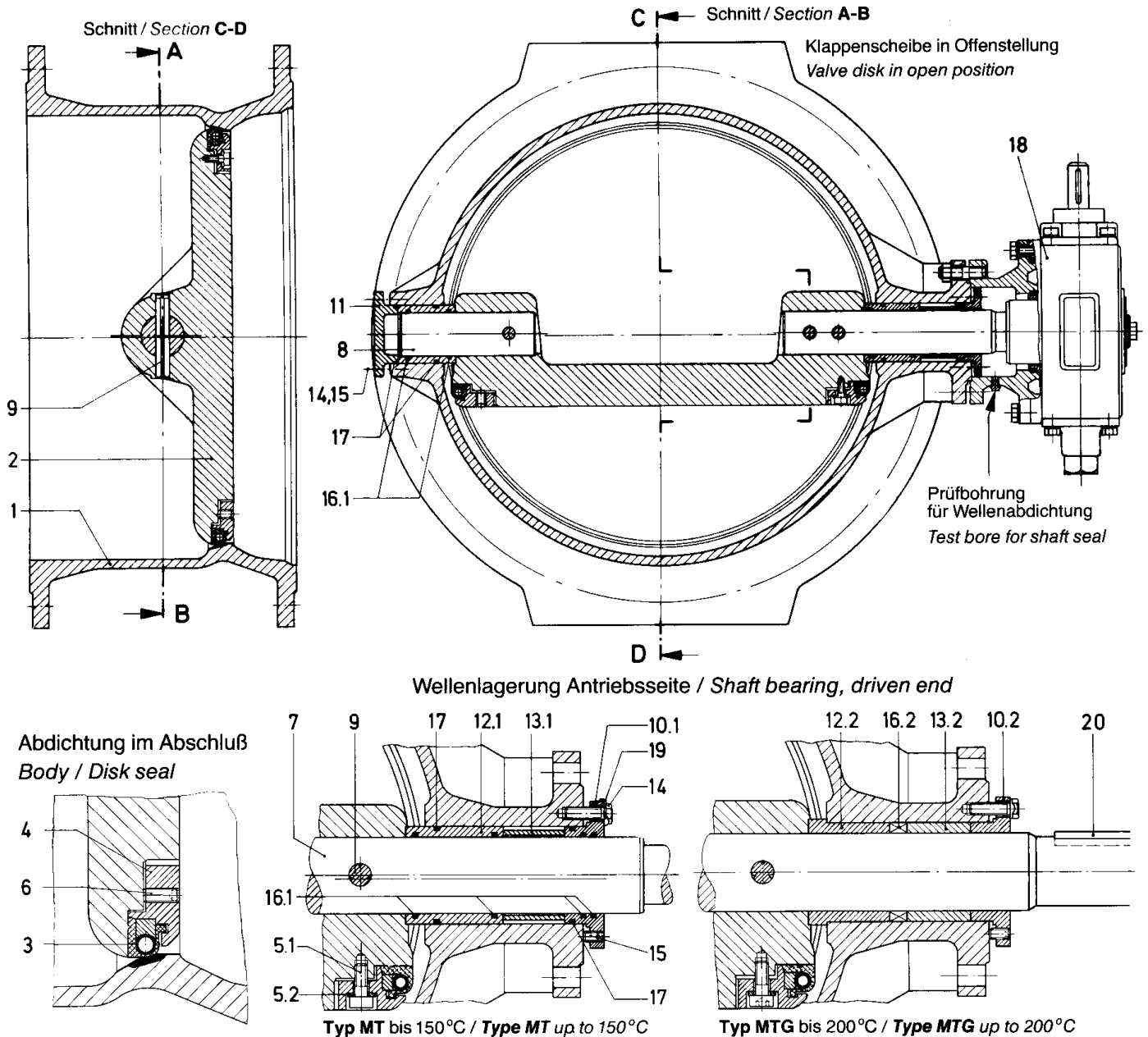


VAG EKN® Butterfly Valves

DN 400...450 PN 10 / 16

Typ MT / MTG



| Teil Part | Benennung / Description | |
|-----------|-------------------------|----------------------------|
| 1 | Gehäuse | Body |
| 2 | Klappenscheibe | Disk |
| 3 | Profildichtring | Profile sealing ring |
| 4 | Haltering | Retaining ring |
| 5.1 | Zylinderschraube | Hex. socket head cap screw |
| 5.2 | Scheibe | Washer |
| 6 | Gewindestift | Hex. socket set screw |
| 7 | Welle, Antriebsseite | Shaft, driven end |
| 8 | Welle, Deckelseite | Shaft, free end |
| 9 | Zylinderkerbstift | Straight grooved pin |
| 10.1 | Lagerflansch, Typ MT | Bearing flange, Type MT |
| 10.2 | Lagerflansch, Typ MTG | Bearing flange, Type MTG |

| | | |
|------|--------------------------|------------------------|
| 11 | Lagerdeckel | Bearing cover |
| 12.1 | Lagerbuchse, Typ MT | Bearing bush, Type MT |
| 12.2 | Lagerbuchse, Typ MTG | Bearing bush, Type MTG |
| 13.1 | Distanzrohr, Typ MT | Spacer tube, Type MT |
| 13.2 | Distanzbuchse, Typ MTG | Spacer bush, Type MTG |
| 14 | Sechskantschraube | Hex. bolt |
| 15 | Gewindestift | Hex. socket set screw |
| 16.1 | O-Ring, Typ MT | O-Ring, Type MT |
| 16.2 | Packungsring, Typ MTG | Packing ring, Type MTG |
| 17 | O-Ring, Typ MT | O-Ring, Type MT |
| 18 | Schneckengetriebe kompl. | Worm gear unit |
| 19 | Sicherungsblech | Locking washer |
| 20 | Paßfeder | Parallel key |

Spare parts list

| Part | Description | piece | code number |
|---------------------|--|----------|-----------------------|
| DN 400 PN 10 | | | |
| | SET 1 Profile sealing ring / Retaining ring | 1 | 2-23-37138-400 |
| 3 | Profile sealing ring | 1 | |
| 4 | Retaining ring | 1 | |
| 5.1 | Hex. Socket head cap screw | 8 | |
| 6 | Hex. Socket set screw | 4 | |
| | SET 2a Sealing MT | 1 | 2-23-37138-401 |
| 3 | Profile sealing ring | 1 | |
| 16.1 | O-ring | 6 | |
| 17 | O-ring | 4 | |
| | SET 2b Sealing MTG | 1 | 2-23-37138-402 |
| 3 | Profile sealing ring | 1 | |
| 16.2 | Packing ring | 2 | |
| 7 | Shaft, driven end | 1 | 1-23-31106-550 |
| 8 | Shaft, free end | 1 | 1-23-27548-550 |
| 9 | Rivet pin | 3 | 1-23-33667-550 |
| 12 | Bearing bush, MT | 2 | 1-23-27407-180 |
| 12.1 | Bearing bush, driven end MTG | 1 | 1-23-28678-180 |
| 12.2 | Bearing bush, free end MTG | 1 | 1-23-28679-180 |
| 19 | Locking washer | 4 | 1-75-33091-491 |
| DN 400 PN 16 | | | |
| | SET 1 Profile sealing ring / Retaining ring | 1 | 2-23-37139-400 |
| 3 | Profile sealing ring | 1 | |
| 4 | Retaining ring | 1 | |
| 5.1 | Hex. Socket head cap screw | 8 | |
| 6 | Hex. Socket set screw | 4 | |
| | SET 2a Sealing MT | 1 | 2-23-37139-401 |
| 3 | Profile sealing ring | 1 | |
| 16.1 | O-ring | 6 | |
| 17 | O-ring | 4 | |
| | SET 2b Sealing MTG | 1 | 2-23-37139-402 |
| 3 | Profile sealing ring | 1 | |
| 16.2 | Packing ring | 2 | |
| 7 | Shaft, driven end | 1 | 1-23-30658-550 |
| 8 | Shaft, free end | 1 | 1-23-27564-550 |
| 9 | Rivet pin | 3 | 1-23-33899-550 |
| 12 | Bearing bush, MT | 2 | 1-23-27409-180 |
| 12.1 | Bearing bush, driven end MTG | 1 | 1-23-29692-180 |
| 12.2 | Bearing bush, free end MTG | 1 | 1-23-29693-180 |
| 19 | Locking washer | 4 | 1-75-33091-492 |
| DN 450 PN 10 | | | |
| | SET 1 Profile sealing ring / Retaining ring | 1 | 2-23-37138-450 |
| 3 | Profile sealing ring | 1 | |
| 4 | Retaining ring | 1 | |
| 5.1 | Hex. Socket head cap screw | 8 | |
| 6 | Hex. Socket set screw | 4 | |
| | SET 2a Sealing MT | 1 | 2-23-37138-451 |
| 3 | Profile sealing ring | 1 | |
| 16.1 | O-ring | 6 | |
| 17 | O-ring | 4 | |
| | SET 2b Sealing MTG | 1 | 2-23-37138-452 |
| 3 | Profile sealing ring | 1 | |
| 16.2 | Packing ring | 2 | |
| 7 | Shaft, driven end | 1 | 1-23-30658-550 |
| 8 | Shaft, free end | 1 | 1-23-27564-550 |
| 9 | Rivet pin | 3 | 1-23-33899-550 |
| 12 | Bearing bush, MT | 2 | 1-23-27409-180 |
| 12.1 | Bearing bush, driven end MTG | 1 | 1-23-29692-180 |
| 12.2 | Bearing bush, free end MTG | 1 | 1-23-29693-180 |
| 19 | Locking washer | 4 | 1-75-33091-492 |
| DN 450 PN 16 | | | |
| | SET 1 Profile sealing ring / Retaining ring | 1 | 2-23-37139-450 |
| 3 | Profile sealing ring | 1 | |
| 4 | Retaining ring | 1 | |
| 5.1 | Hex. Socket head cap screw | 6 | |
| 6 | Hex. Socket set screw | 3 | |
| | SET 2a Sealing MT | 1 | 2-23-37139-451 |
| 3 | Profile sealing ring | 1 | |
| 16.1 | O-ring | 6 | |
| 17 | O-ring | 4 | |
| | SET 2b Sealing MTG | 1 | 2-23-37139-452 |
| 3 | Profile sealing ring | 1 | |
| 16.2 | Packing ring | 2 | |
| 7 | Shaft, driven end | 1 | 1-23-30658-550 |
| 8 | Shaft, free end | 1 | 1-23-27564-550 |
| 9 | Rivet pin | 3 | 1-23-33899-550 |
| 12 | Bearing bush, MT | 2 | 1-23-27409-180 |
| 12.1 | Bearing bush, driven end MTG | 1 | 1-23-29766-180 |
| 12.2 | Bearing bush, free end MTG | 1 | 1-23-29767-180 |
| 19 | Locking washer | 4 | 1-75-33091-492 |



VAG-Armaturen GmbH
 Carl-Reuther-Straße 1
 D-68305 Mannheim
 P.O.B. 31 05 48
 D-68265 Mannheim
 Phone (0621) 749 - 0
 Fax (0621) 749 - 2153
 Internet: www.vag-armaturen.com

© by VAG-Armaturen GmbH